

LAMBERT • EZELL • DURHAM  
ARCHITECTURE, LLC  
P.O. BOX 934 401 EAST COLLEGE ST.  
FLORENCE, ALABAMA 36631  
WWW.LEDARCHITECTURE.COM  
TELEPHONE (256) 161-1100

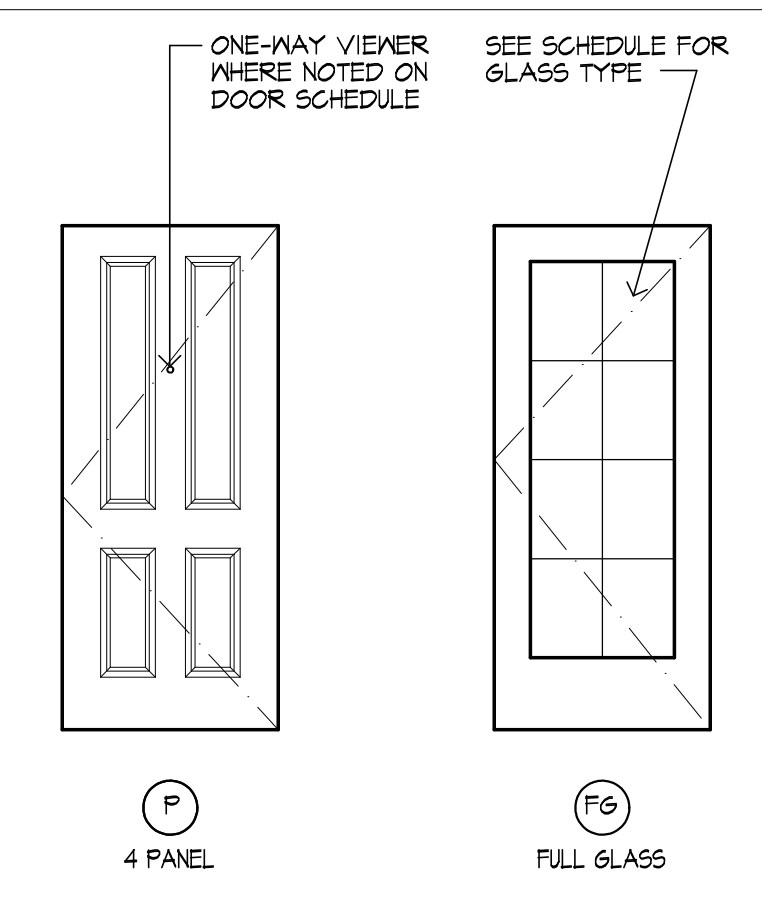
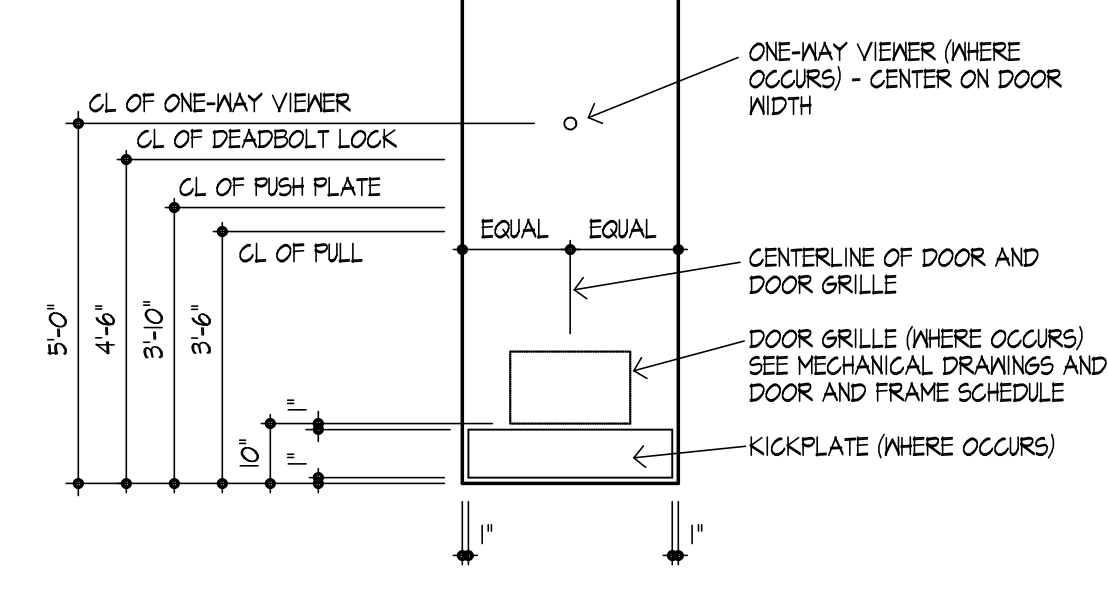
BRANCH BANK FOR  
TRADERS AND FARMERS BANK  
DOUBLE SPRINGS, ALABAMA

JOB NO: 1612  
DATE: 11/30/17  
DRAWN: JWH, GAS  
REVISOR: JWH, GAS  
CHECKED: CED

DRAWING TITLE  
DOOR SCHEDULE  
DRAWING NUMBER  
A-3  
OF 15

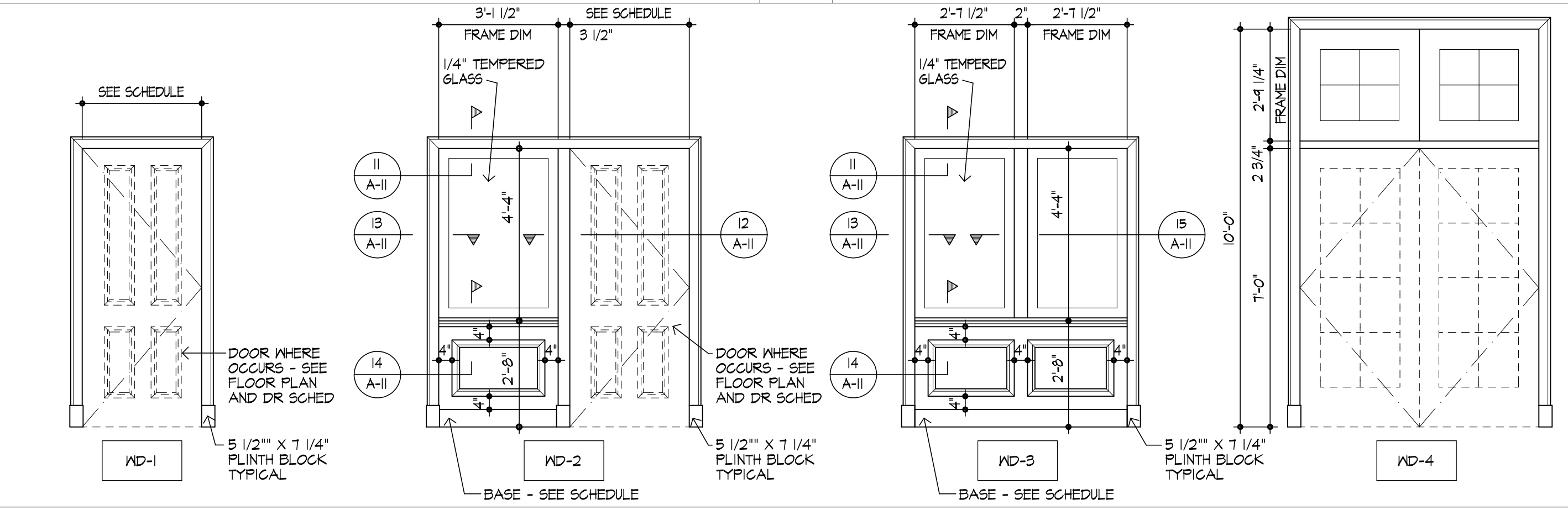
### DOOR AND FRAME SCHEDULE

NO.	SIZE	CONSTRUCTION	TYPE	DOOR		FRAME		DOOR AND FRAME ASSEMBLY FIRE RATING LABEL	THRESHOLD		REMARKS
				VISION PANEL SIZE	VISION PANEL GLASS TYPE	TYPE	DETAILS		MATL	DETL	
102A	(2) 3'-0" X 7'-0" X 1 3/4"	ALUM-CLAD WOOD/GLASS	F6	FULL GLASS	INSUL TINTED TEMP	ND-1	1/A-11 & 9, 10/A-12	-----	ALUMINUM	2/A-4	
103A	(2) 3'-0" X 7'-0" X 1 3/4"	WOOD / GLASS	F6	FULL GLASS	1/4" TEMPERED	ND-1	9, 10/A-11	-----	VINYL	3/A-4	
104A	2'-10" X 7'-0" X 1 3/4"	SOLID CORE HARDBOARD	P	-----	-----	ND-1	9, 10/A-11	-----	VINYL	3/A-4	
106A	3'-0" X 7'-0" X 1 3/4"	SOLID CORE HARDBOARD	P	-----	-----	ND-2	9, 10, 12/A-11	-----	-----	-----	
108A	3'-0" X 7'-0" X 1 3/4"	SOLID CORE HARDBOARD	P	-----	-----	ND-2	9, 10, 12/A-11	-----	-----	-----	
109A	2'-10" X 7'-0" CASED OPENING	-----	----	-----	-----	ND-1	12, 13/A-12	-----	-----	-----	
110A	3'-0" X 7'-0" CASED OPENING	-----	----	-----	-----	ND-1	12, 13/A-12	-----	-----	-----	
111A	3'-0" X 7'-0" X 1 3/4"	SOLID CORE HARDBOARD	P	-----	-----	ND-1	9, 10/A-11	-----	VINYL	3/A-4	
112A	3'-0" X 7'-0" X 1 3/4"	SOLID CORE HARDBOARD	P	-----	-----	ND-1	9, 10/A-11	-----	-----	-----	
113A	3'-0" X 7'-0" X 1 3/4"	SOLID CORE HARDBOARD	P	-----	-----	ND-1	9, 10/A-11	-----	MARBLE	4/A-4	
115A	3'-0" X 7'-0" X 1 3/4"	INSULATED METAL	P	-----	-----	SF-1	1/A-11 & 7, 8/A-12	-----	ALUMINUM	2/A-4	PROVIDE ONE-WAY DOOR VIEWER
116A	3'-0" X 7'-0" X 1 3/4"	SOLID CORE HARDBOARD	P	-----	-----	ND-1	9, 10/A-11	-----	VINYL	3/A-4	
117A	3'-0" X 7'-0" X 1 3/4"	SOLID CORE HARDBOARD	P	-----	-----	ND-1	9, 10/A-11	-----	-----	-----	
119A	3'-0" X 7'-0" X 1 3/4"	SOLID CORE HARDBOARD	P	-----	-----	ND-1	9, 10/A-11	-----	VINYL	3/A-4	
120A	3'-0" X 7'-0" X 1 3/4"	SOLID CORE HARDBOARD	P	-----	-----	ND-1	9, 10/A-11	-----	MARBLE	4/A-4	
121A	3'-0" X 7'-0" X 1 3/4"	SOLID CORE HARDBOARD	P	-----	-----	ND-1	9, 10/A-11	-----	VINYL	3/A-4	
121B	3'-0" X 7'-0" X 1 3/4"	SOLID CORE HARDBOARD	P	-----	-----	ND-1	9, 10/A-11	-----	VINYL	3/A-4	
122A	3'-0" X 7'-0" X 1 3/4"	SOLID CORE HARDBOARD	P	-----	-----	ND-1	9, 10/A-11	-----	MARBLE	4/A-4	
123A	3'-0" X 7'-0" X 1 3/4"	SOLID CORE HARDBOARD	P	-----	-----	ND-1	9, 10/A-11	-----	VINYL	3/A-4	
124A	3'-0" X 7'-0" X 1 3/4"	SOLID CORE HARDBOARD	P	-----	-----	ND-1	9, 10/A-11	-----	-----	-----	
125A	2'-10" X 7'-0" CASED OPENING	-----	----	-----	-----	ND-1	12, 13/A-12	-----	VINYL	3/A-4	
126A	3'-0" X 7'-0" X 1 3/4"	SOLID CORE HARDBOARD	P	-----	-----	ND-1	9, 10/A-11	-----	-----	-----	
127A	SEE DETAILS FOR DOOR SIZE	VAULT DR BY EQUIP SUPPLIER	----	-----	-----	-----	1, 2/A-12	-----	STEEL	3/A-12	
128A	3'-0" X 7'-0" X 1 3/4"	SOLID CORE HARDBOARD	P	-----	-----	ND-1	9, 10/A-11	-----	-----	-----	
130A	3'-0" X 7'-0" X 1 3/4"	SOLID CORE HARDBOARD	P	-----	-----	ND-2	9, 10, 12/A-11	-----	-----	-----	
132A	3'-0" X 7'-0" X 1 3/4"	SOLID CORE HARDBOARD	P	-----	-----	ND-2	9, 10, 12/A-11	-----	-----	-----	
133A	2'-10" X 7'-0" X 1 3/4"	SOLID CORE HARDBOARD	P	-----	-----	ND-1	9, 10/A-11	-----	VINYL	3/A-4	

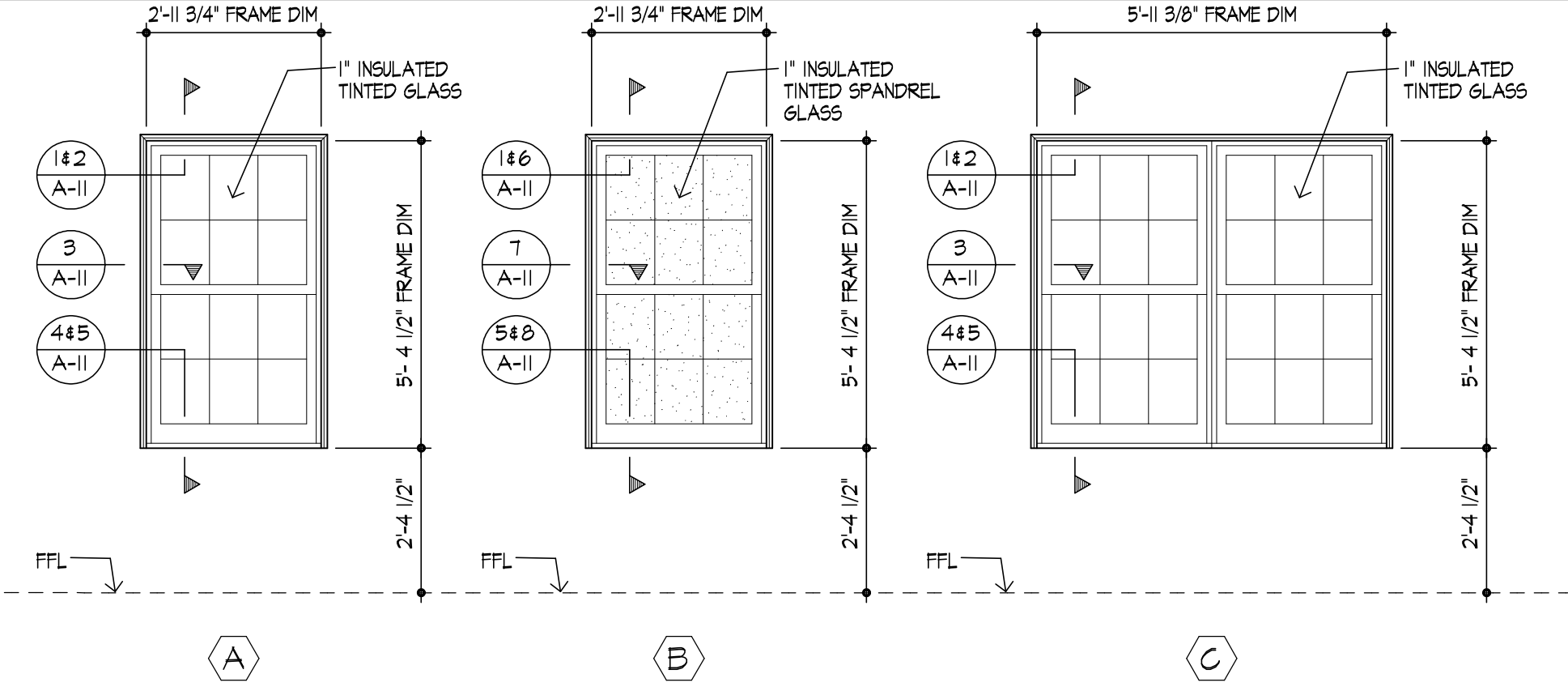


**1** DETAIL  
SCALE 3/8" = 1'-0"

**DOOR TYPES**  
SCALE 3/8" = 1'-0"

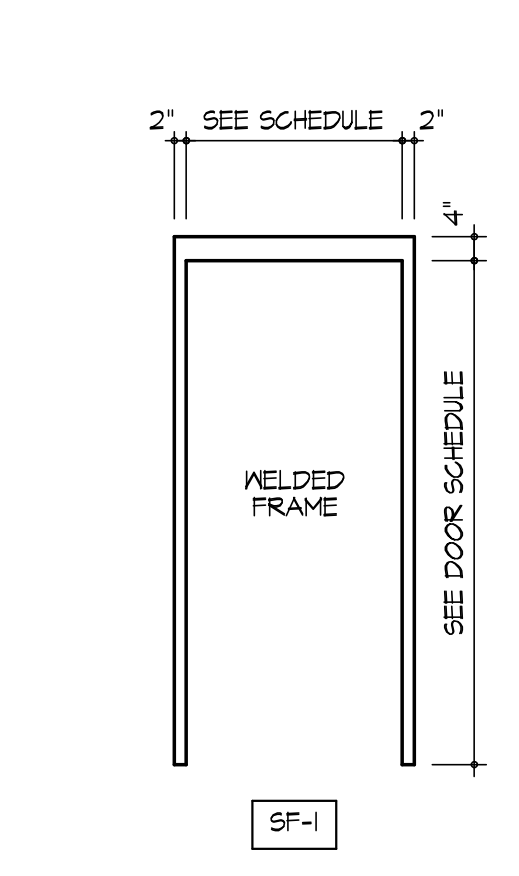


**WOOD FRAME TYPES**  
SCALE 3/8" = 1'-0"

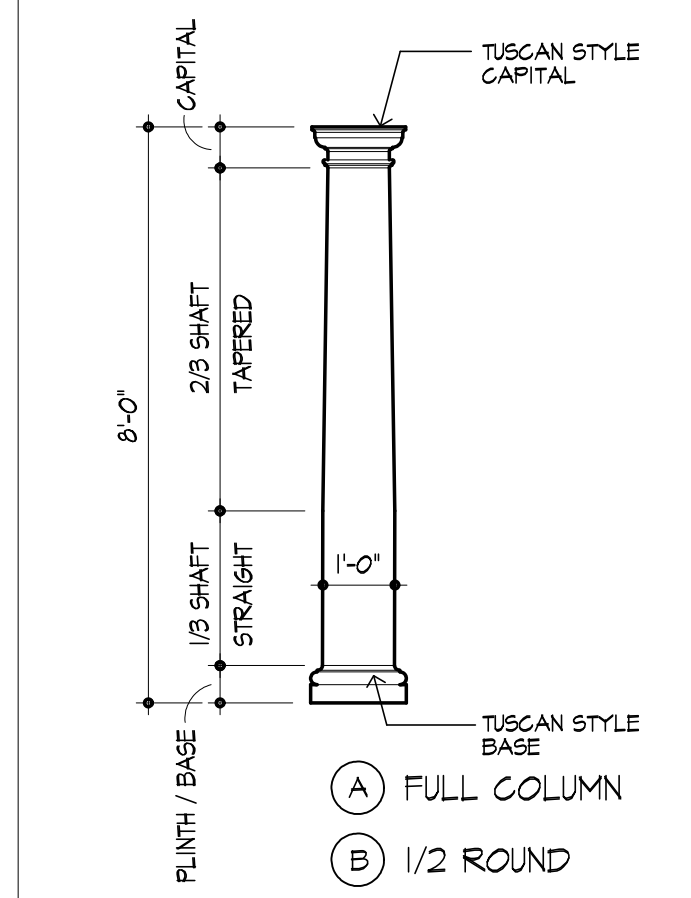


**WINDOW TYPES**  
SCALE 3/8" = 1'-0"

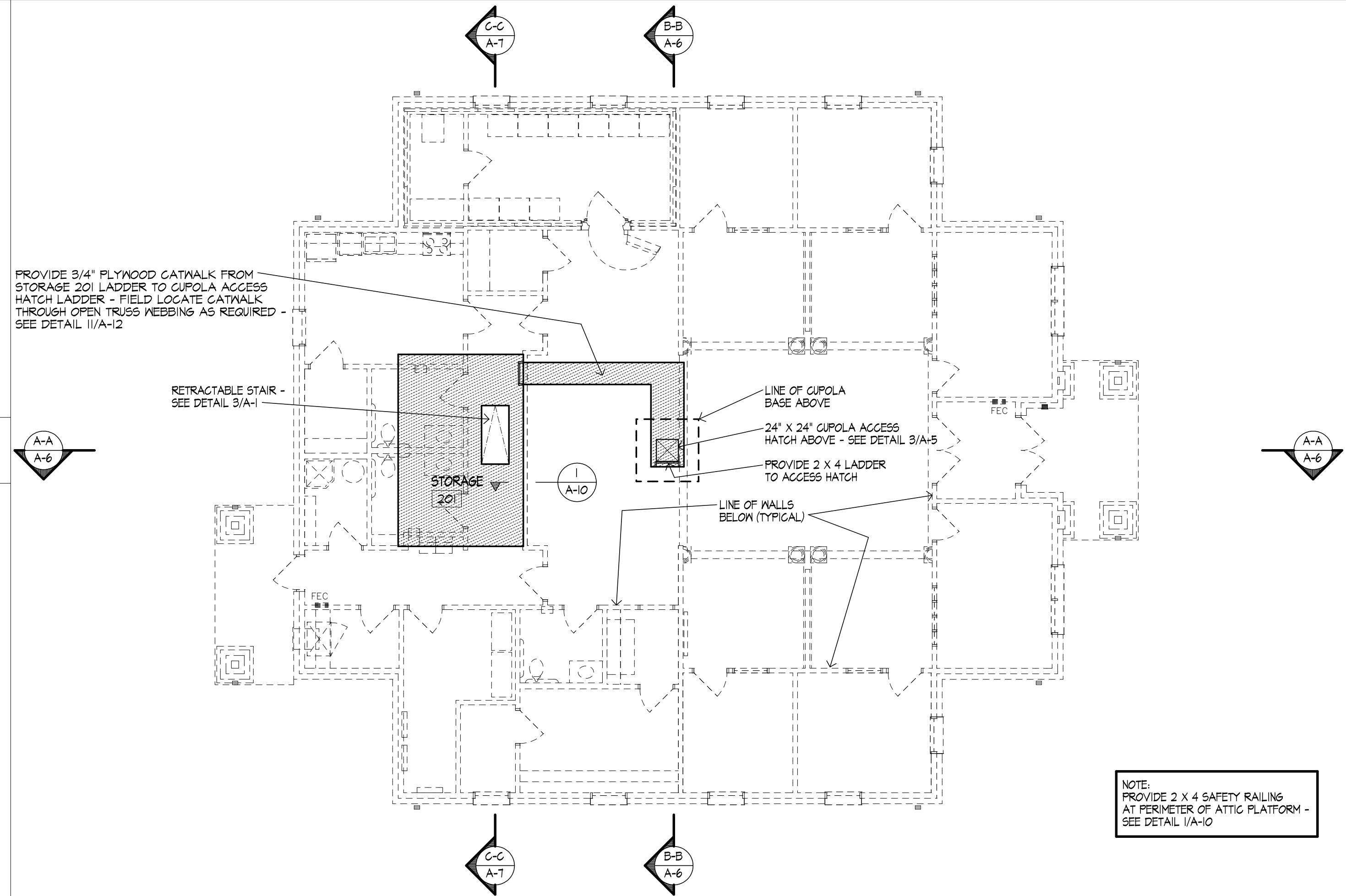
NOTE: WINDOW SIZES BASED ON LOEMEN WINDOWS AND DOORS MANUFACTURER'S DIMENSIONS



**STEEL FRAME TYPES**  
SCALE 3/8" = 1'-0"



**1** WOOD TUSCAN COLUMN TYPES  
SCALE 3/8" = 1'-0"



NOTE: PROVIDE 2 X 4 SAFETY RAILING AT PERIMETER OF ATTIC PLATFORM - SEE DETAIL 11/A-10

**ATTIC FLOOR PLAN**  
SCALE 1/8" = 1'-0"

File Name: G:\2016\1612 T&F BANK DOUBLE SPRINGS\1612 WD\1612 A03 DOOR SCHEDULE  
Plot Date: 1/30/2018  
Plot Time: 3:30 PM