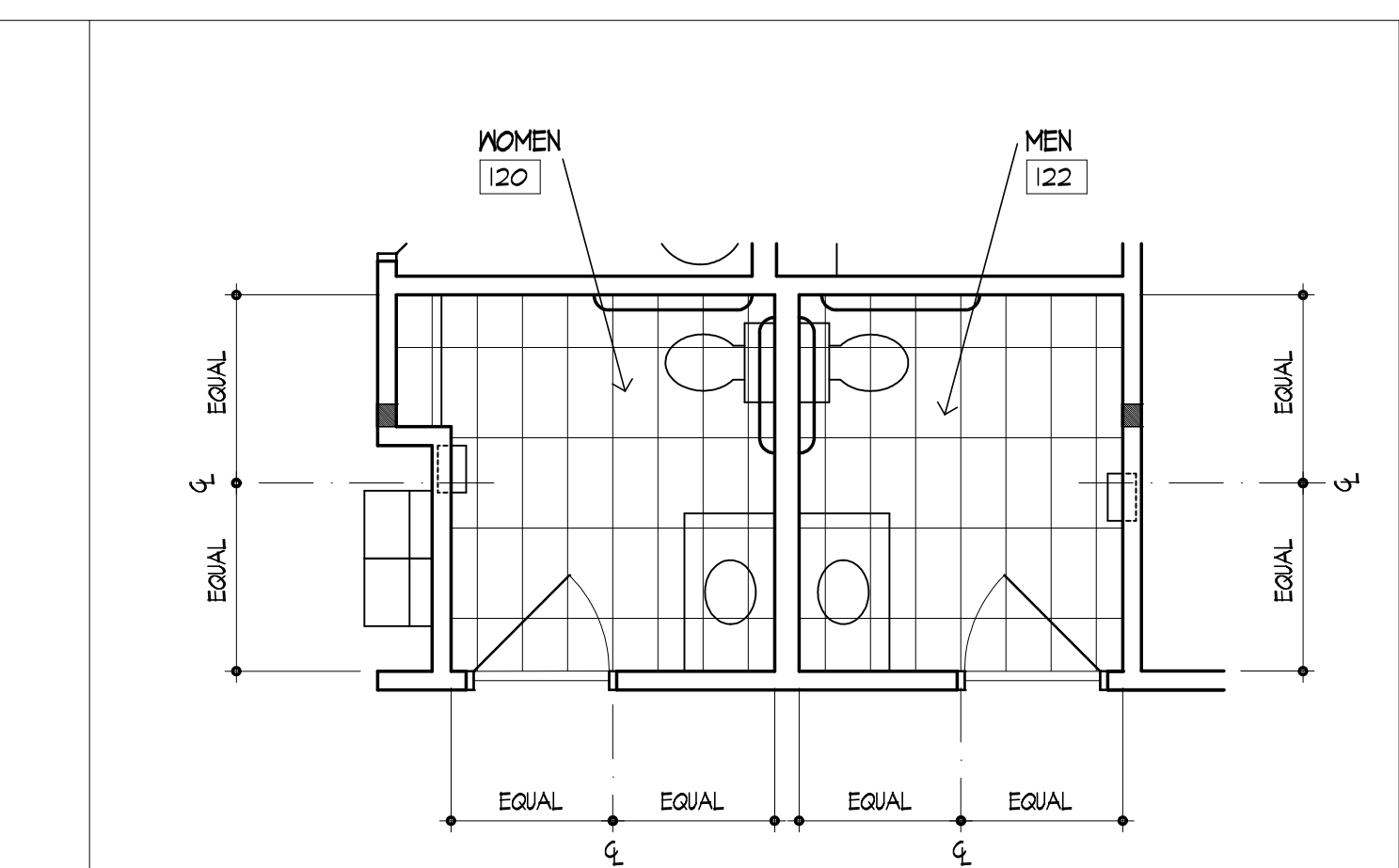
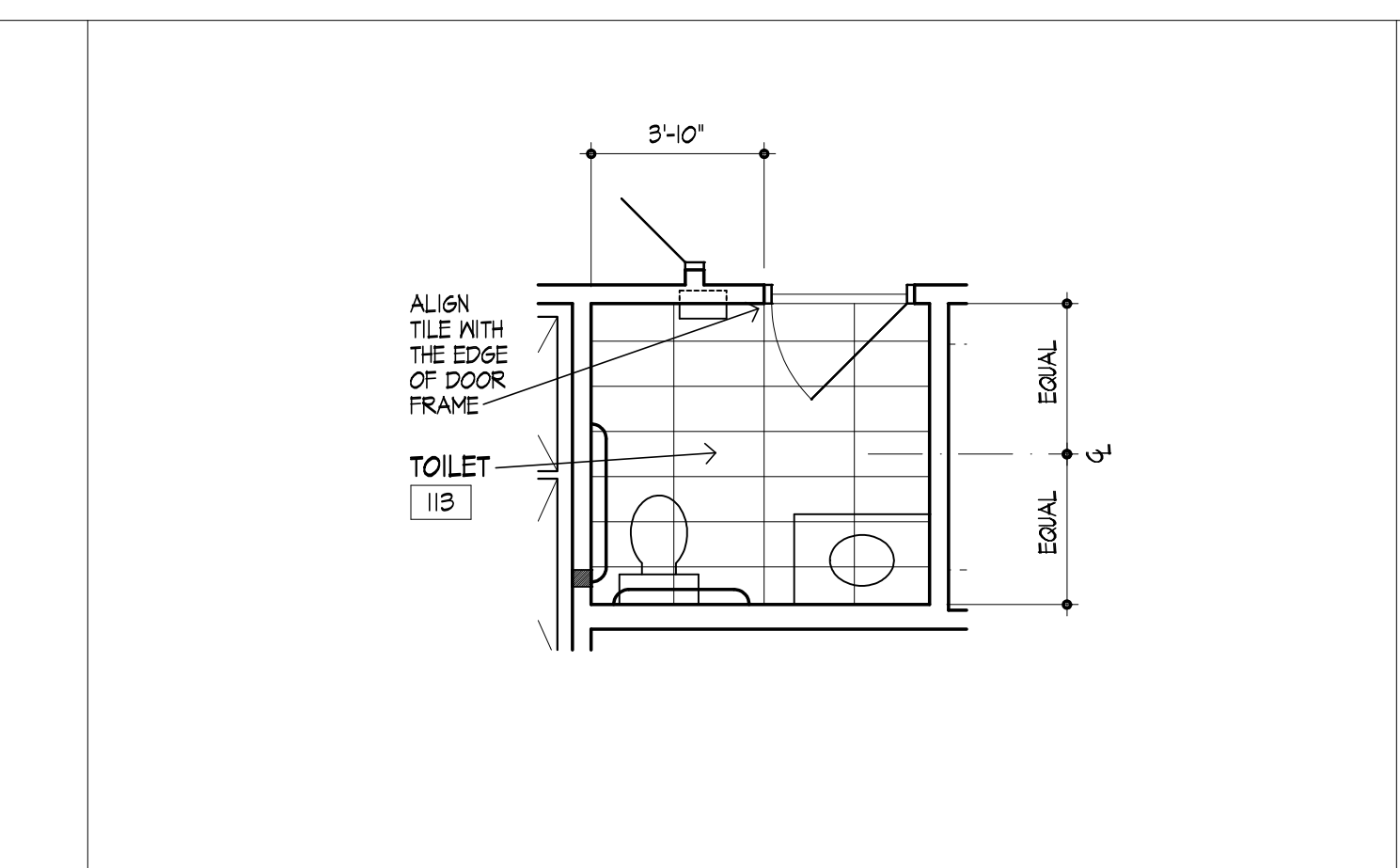
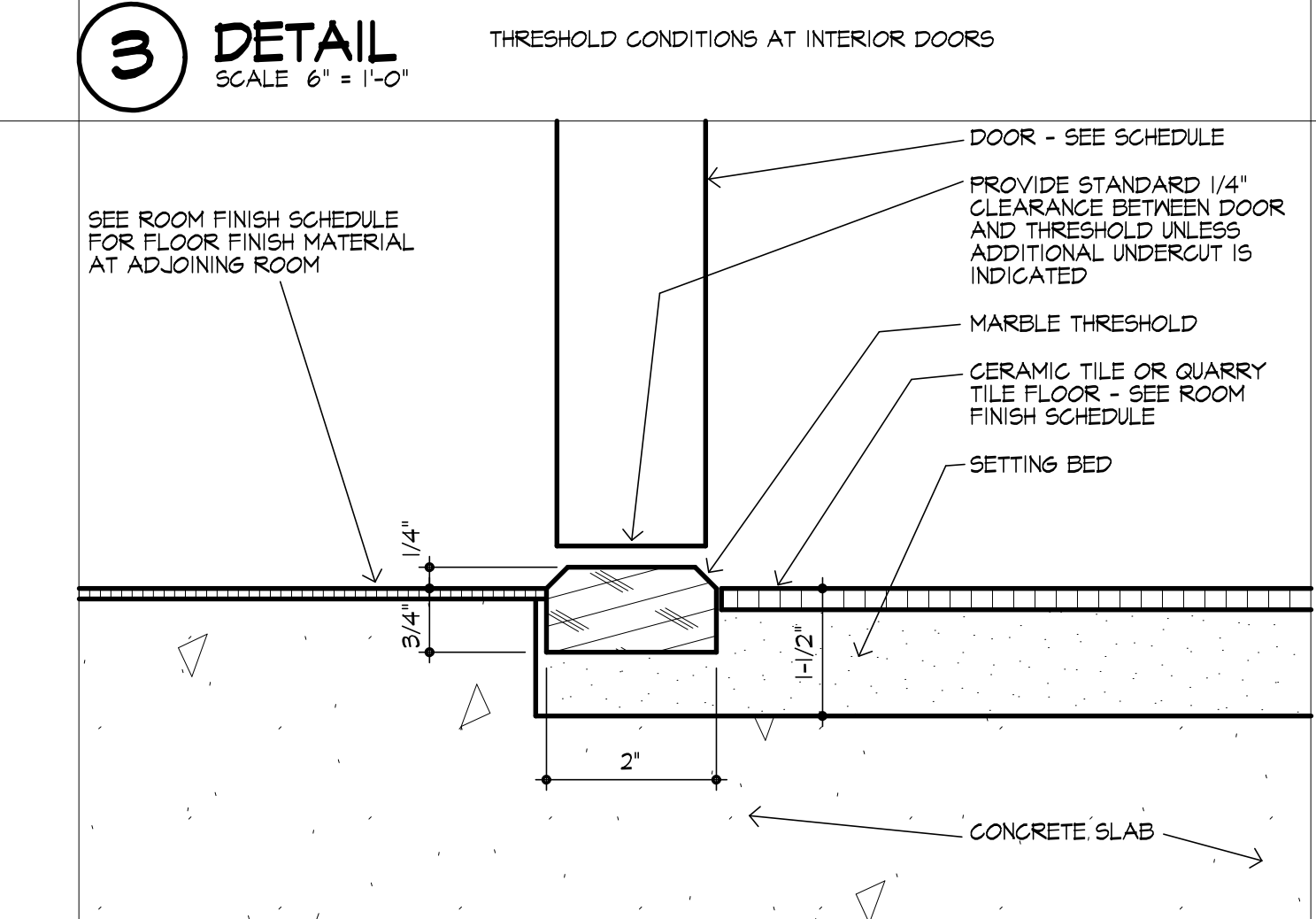
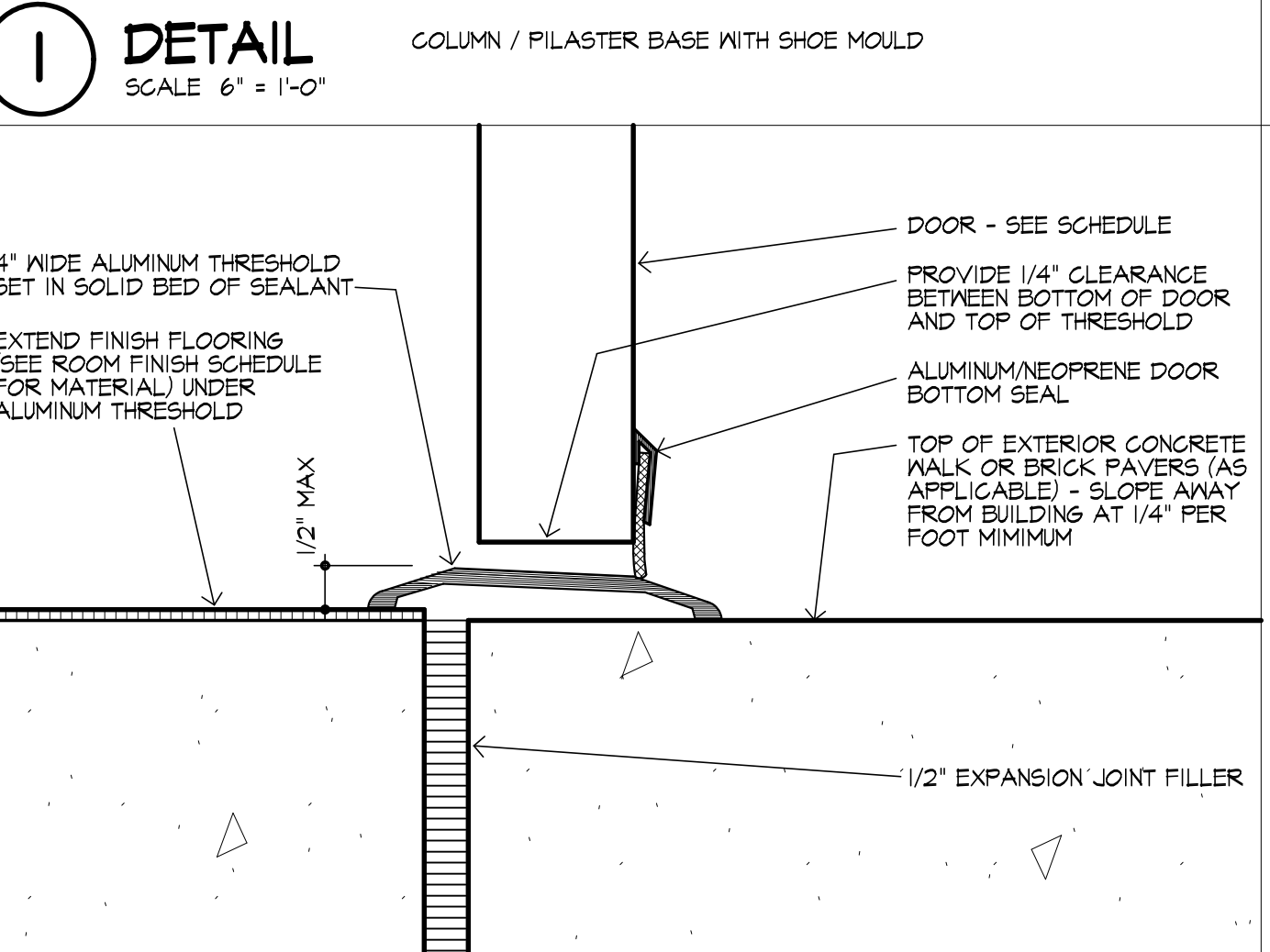
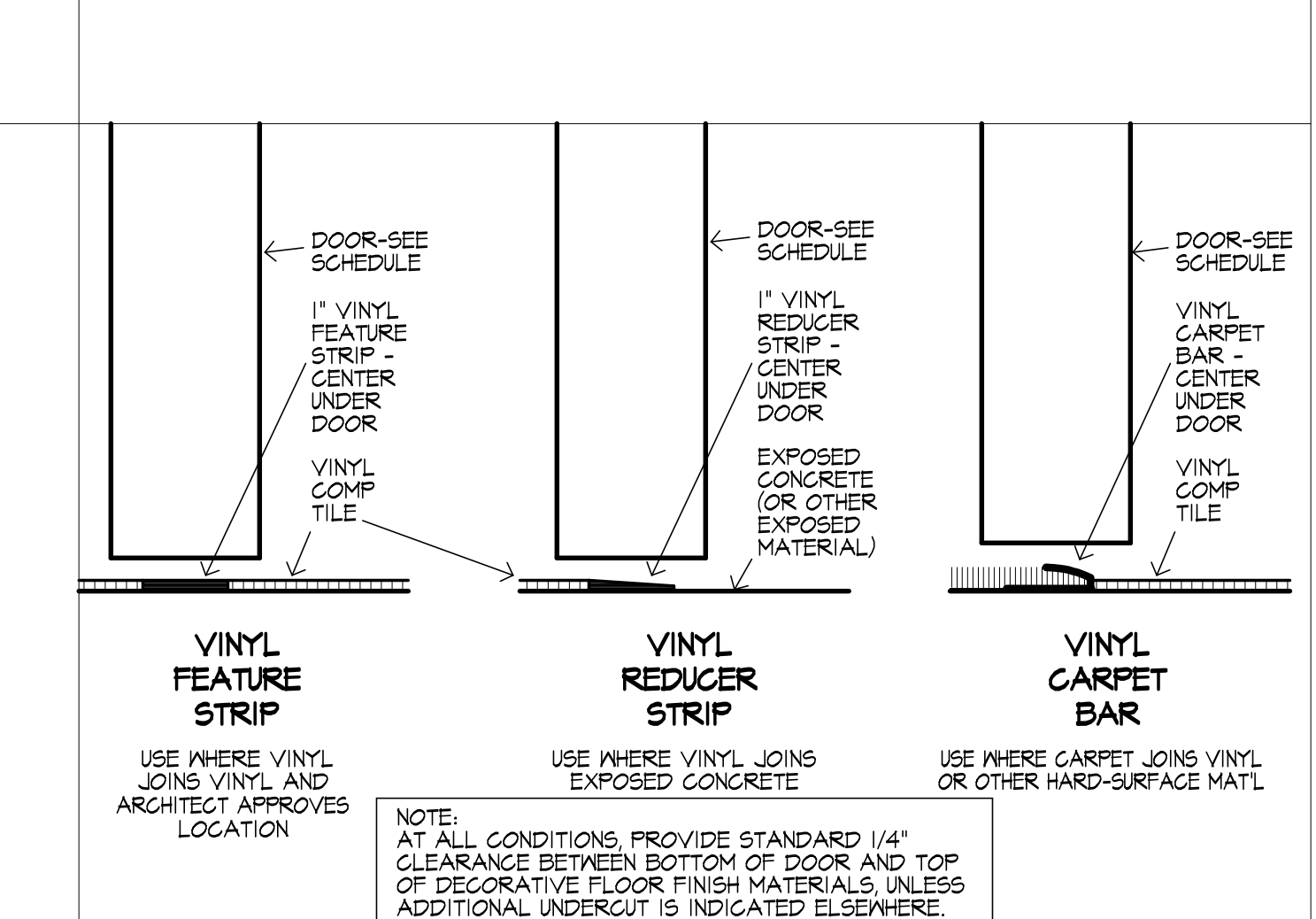
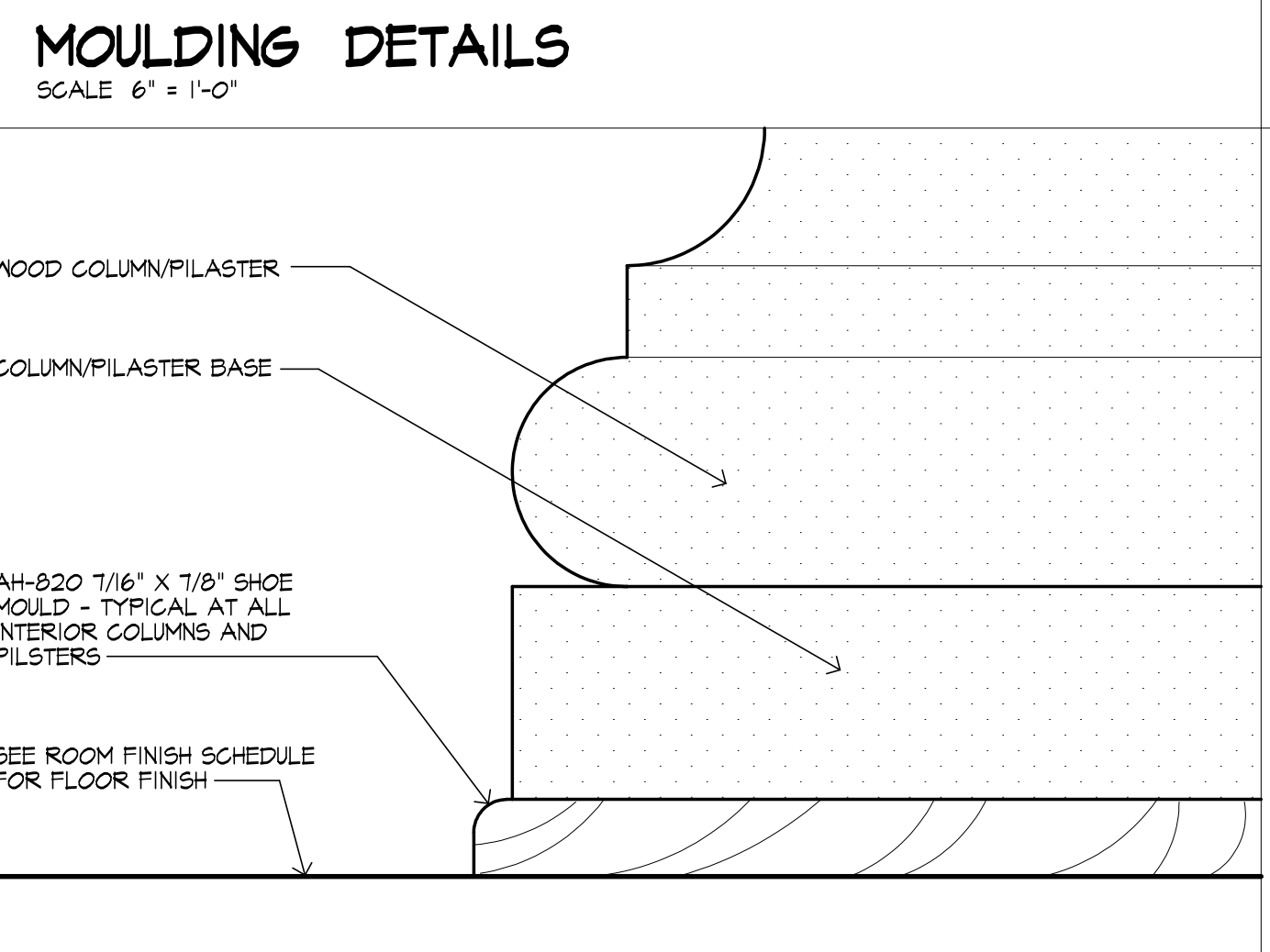
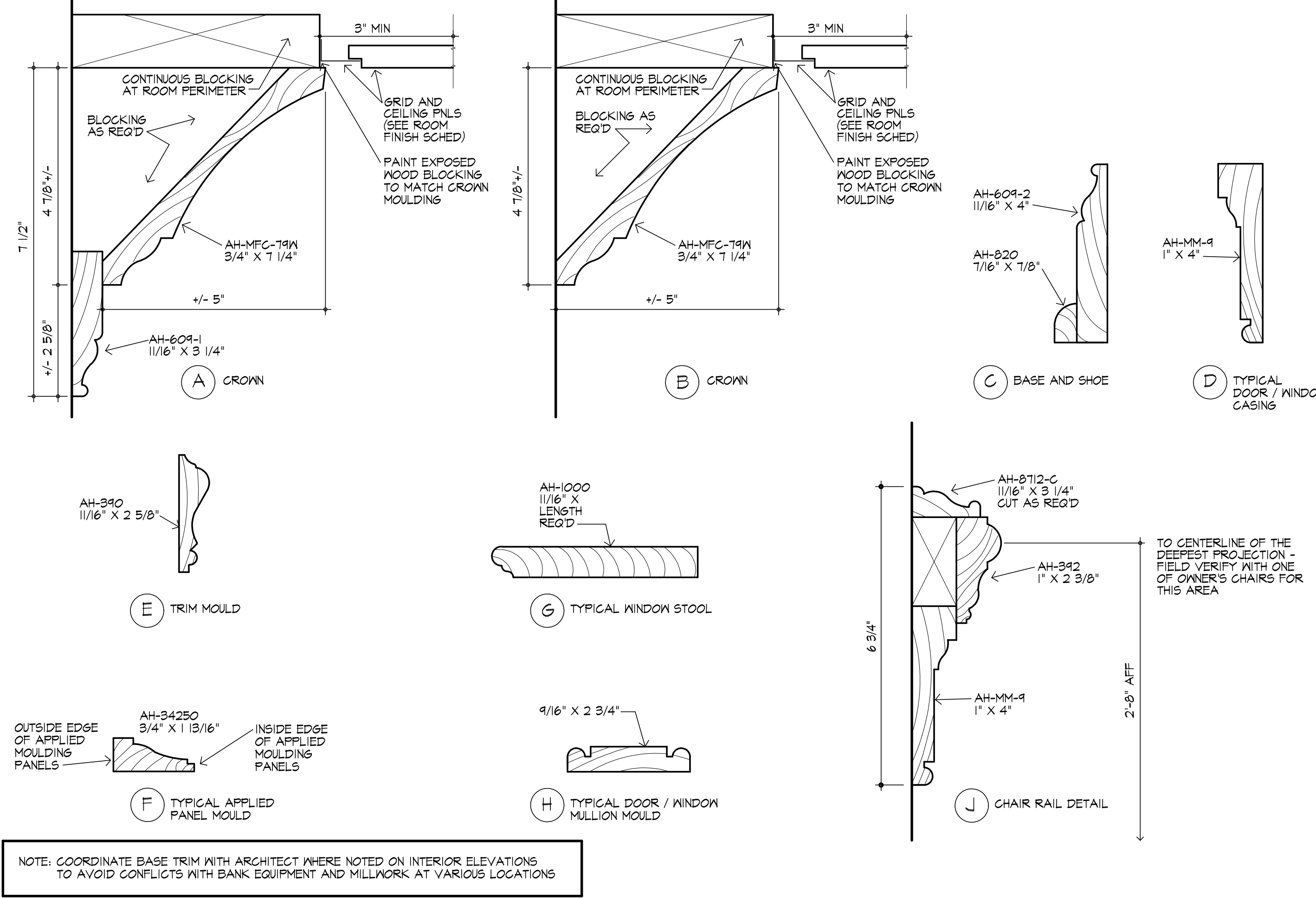


ROOM FINISH SCHEDULE

NO.	ROOM NAME	FLOOR		BASE		WALLS			CEILING			REMARKS	
		MATERIAL	COLOR	MATERIAL	COLOR	SUBSTRATE	FINISH	COLOR	SUBSTRATE	FINISH	COLOR		HT.
101	COVERED ENTRY	CONCRETE							COMPOSITE BEADBOARD	ENAMEL		12'-4"	
102	VESTIBULE	CARPET		WOOD - TYPE 3 PAINTED		GYPSUM BOARD			ACUSTICAL PANEL	TYPE I	WHITE	11'-0"	
103	LOBBY	SOLID VINYL TILE		WOOD - TYPE 3 PAINTED		GYPSUM BOARD			GYPSUM BOARD/ACUST PANELS	ENAMEL/TYPE I	WHITE	9'-6"/11'-6"	
104	LOAN OFFICE	CARPET		WOOD - TYPE 3 PAINTED		GYPSUM BOARD			ACUSTICAL PANEL	TYPE I	WHITE	9'-6"	
105	CSR-1	CARPET		WOOD - TYPE 3 PAINTED		GYPSUM BOARD			ACUSTICAL PANEL	TYPE I	WHITE	9'-6"	
106	NEW ACCOUNTS	CARPET		WOOD - TYPE 3 PAINTED		GYPSUM BOARD			ACUSTICAL PANEL	TYPE I	WHITE	9'-6"	
107	WAITING OR CSR-4	CARPET		WOOD - TYPE 3 PAINTED		GYPSUM BOARD			ACUSTICAL PANEL	TYPE I	WHITE	9'-6"	
108	UTILITY / PRIVATE	CARPET		WOOD - TYPE 3 PAINTED		GYPSUM BOARD			ACUSTICAL PANEL	TYPE I	WHITE	9'-6"	
109	ALCOVE	CARPET		WOOD - TYPE 3 PAINTED		GYPSUM BOARD			ACUSTICAL PANEL	TYPE I	WHITE	9'-6"	
110	PRINTER ALCOVE	CARPET		WOOD - TYPE 3 PAINTED		GYPSUM BOARD			ACUSTICAL PANEL	TYPE 2	WHITE	9'-0"	
111	WORKROOM	VCT		RESILIENT		GYPSUM BOARD			ACUSTICAL PANEL	TYPE 2	WHITE	9'-6"	
112	DATA ROOM	VCT		RESILIENT		GYPSUM BOARD			ACUSTICAL PANEL	TYPE 2	WHITE	9'-6"	
113	TOILET	PORCELAIN CERAMIC TILE		PORCELAIN CERAMIC TILE		GYPSUM BOARD			ACUSTICAL PANEL	TYPE 1	WHITE	9'-0"	
114	TELLERS	CARPET		WOOD - TYPE 3 PAINTED		GYPSUM BOARD			ACUSTICAL PANEL	TYPE 1	WHITE	9'-6"	
115	CORRIDOR	VCT		RESILIENT		GYPSUM BOARD			ACUSTICAL PANEL	TYPE 2	WHITE	8'-6"	
116	MECHANICAL ROOM	CONCRETE		RESILIENT		GYPSUM BOARD			GYPSUM BOARD	ENAMEL	CEILING WHITE	12'-0"	
117	NIGHT DEPOSIT	VCT		RESILIENT		GYPSUM BOARD			ACUSTICAL PANEL	TYPE 2	WHITE	9'-0"	
118	COVERED STAFF ENTRY	CONCRETE							COMPOSITE BEADBOARD	ENAMEL		10'-9"	
119	JANITOR	CONCRETE		RESILIENT		GYPSUM BOARD			ACUSTICAL PANEL	TYPE 2	WHITE	9'-0"	
120	WOMEN	PORCELAIN CERAMIC TILE		PORCELAIN CERAMIC TILE		GYPSUM BOARD			ACUSTICAL PANEL	TYPE 2	WHITE	8'-6"	
121	MEN	PORCELAIN CERAMIC TILE		PORCELAIN CERAMIC TILE		GYPSUM BOARD			ACUSTICAL PANEL	TYPE 2	WHITE	8'-6"	
122	BREAK ROOM	VCT		RESILIENT		GYPSUM BOARD			ACUSTICAL PANEL	TYPE 2	WHITE	9'-6"	
123	BREAK ROOM	VCT		RESILIENT		GYPSUM BOARD			ACUSTICAL PANEL	TYPE 2	WHITE	9'-6"	
124	STORAGE	VCT		RESILIENT		GYPSUM BOARD			ACUSTICAL PANEL	TYPE 2	WHITE	9'-0"	
125	VAULT LOBBY	CARPET		WOOD - TYPE 3 PAINTED		GYPSUM BOARD			ACUSTICAL PANEL	TYPE 1	WHITE	9'-6"	
126	COUPON BOOTH	CARPET		WOOD - TYPE 3 PAINTED		GYPSUM BOARD			ACUSTICAL PANEL	TYPE 1	WHITE	9'-0"	
127	VAULT	CARPET		RESILIENT		GYPSUM BOARD			ACUSTICAL PANEL	TYPE 2	WHITE	8'-0"	
128	CASH VAULT	CARPET		RESILIENT		GYPSUM BOARD			ACUSTICAL PANEL	TYPE 2	WHITE	8'-0"	
129	CSR-3	CARPET		WOOD - TYPE 3 PAINTED		GYPSUM BOARD			ACUSTICAL PANEL	TYPE 1	WHITE	9'-6"	
130	UTILITY / PRIVATE	CARPET		WOOD - TYPE 3 PAINTED		GYPSUM BOARD			ACUSTICAL PANEL	TYPE 1	WHITE	9'-6"	
131	CSR-2	CARPET		WOOD - TYPE 3 PAINTED		GYPSUM BOARD			ACUSTICAL PANEL	TYPE 1	WHITE	9'-6"	
132	NEW ACCOUNTS	CARPET		WOOD - TYPE 3 PAINTED		GYPSUM BOARD			ACUSTICAL PANEL	TYPE 1	WHITE	9'-6"	
133	LOAN OFFICE	CARPET		WOOD - TYPE 3 PAINTED		GYPSUM BOARD			ACUSTICAL PANEL	TYPE 1	WHITE	9'-6"	
134	ALCOVE	CARPET		WOOD - TYPE 3 PAINTED		GYPSUM BOARD			ACUSTICAL PANEL	TYPE 1	WHITE	9'-6"	
201	STORAGE	PLYWOOD DECKING				*EXPOSED STRUCTURE			EXPOSED STRUCTURE				*PROVIDE 2 X 4 RAILINGS - SEE DETAIL 1/A-10



File Name: G:\2016\1612 T&F BANK DOUBLE SPRINGS\1612 WD\1612 A04 FINISH SCHEDULE Plot Time: 3:30 PM 1/30/2018