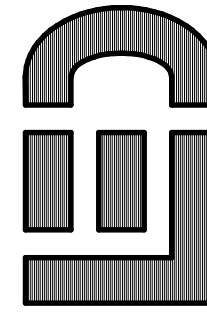
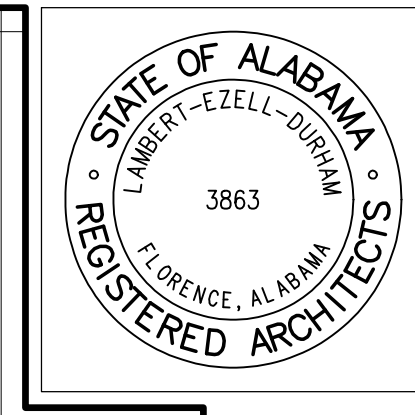


File Name: G:\2016\1612 T&F BANK DOUBLE SPRINGS\1612 WD\1612 A06 EXTERIOR ELEVATIONS  
 Plot Date: 1/30/2018 Plot Time: 3:30 PM

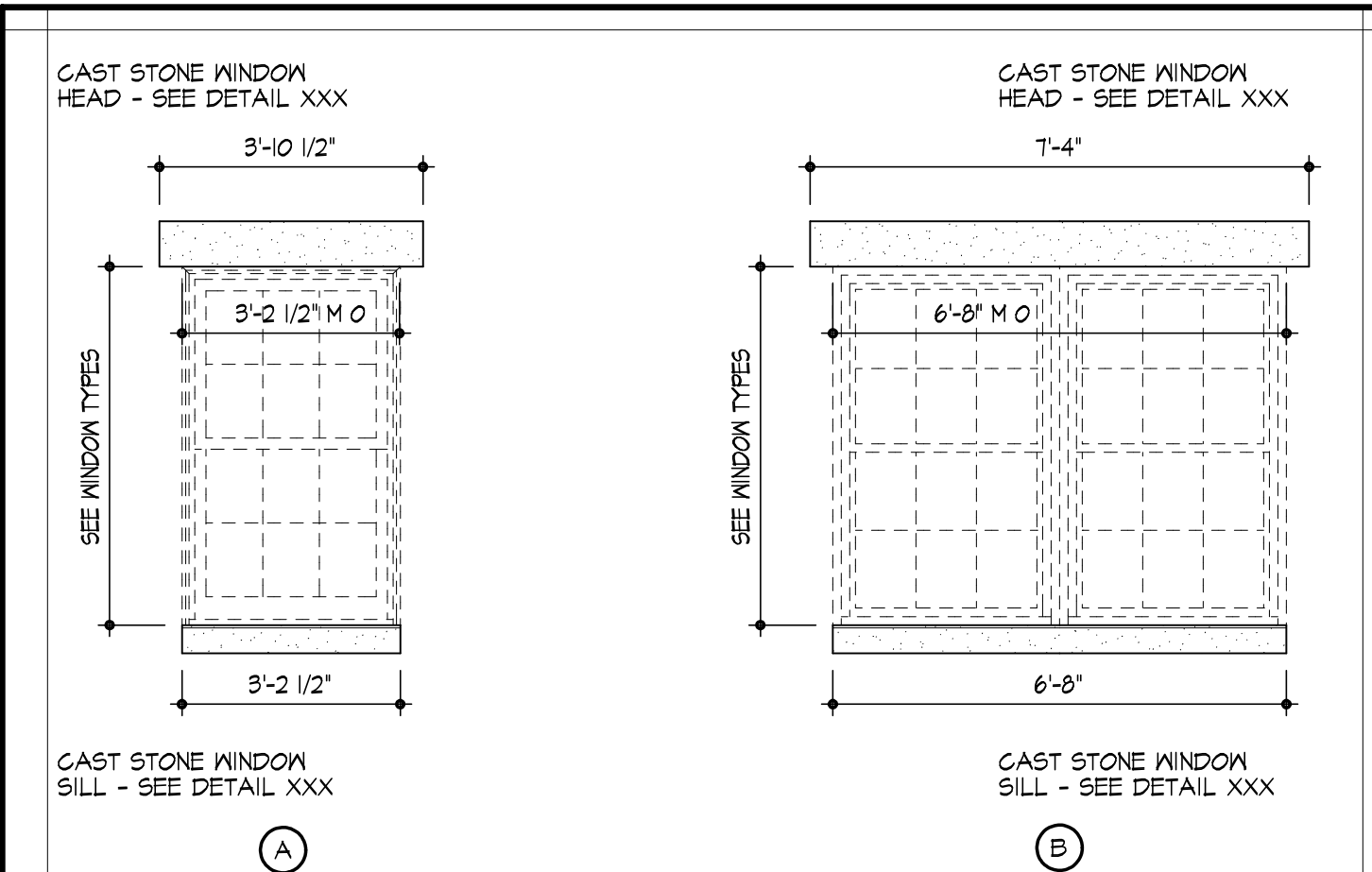


LAMBERT-EZELL-DURHAM  
 ARCHITECTURE, LLC  
 P.O. BOX 984 401 EAST COLLEGE ST.  
 FLORENCE, ALABAMA 36631  
 WWW.LEDARCHITECTURE.COM  
 TELEPHONE (256) 161-1100

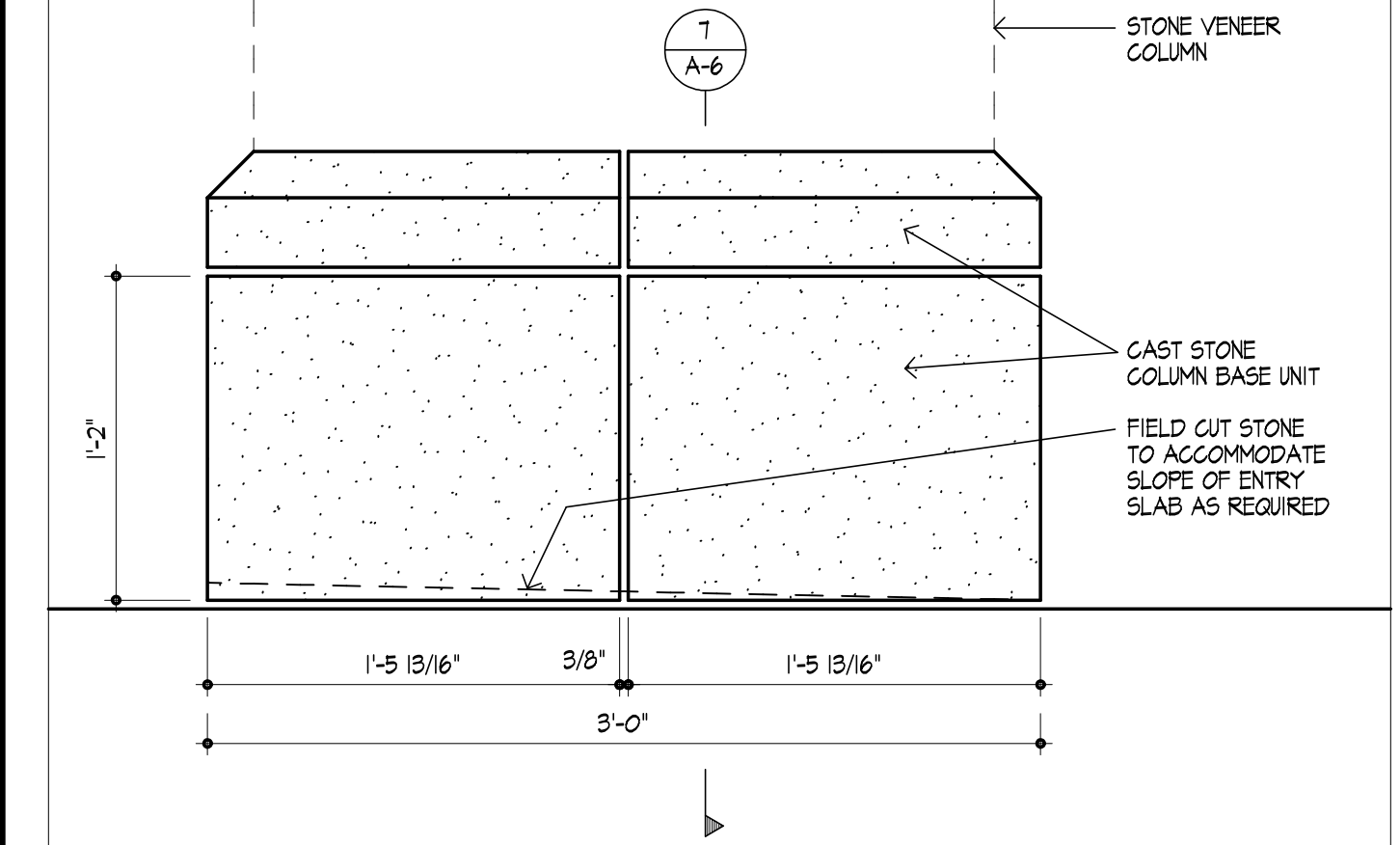
BRANCH BANK FOR  
**TRADERS AND FARMERS BANK**  
 DOUBLE SPRINGS, ALABAMA

JOB NO: 1612  
 DATE: 11/30/17  
 DRAWN: JWH  
 CHECKED: CED  
 REVISED: [ ]  
 REVISED: [ ]

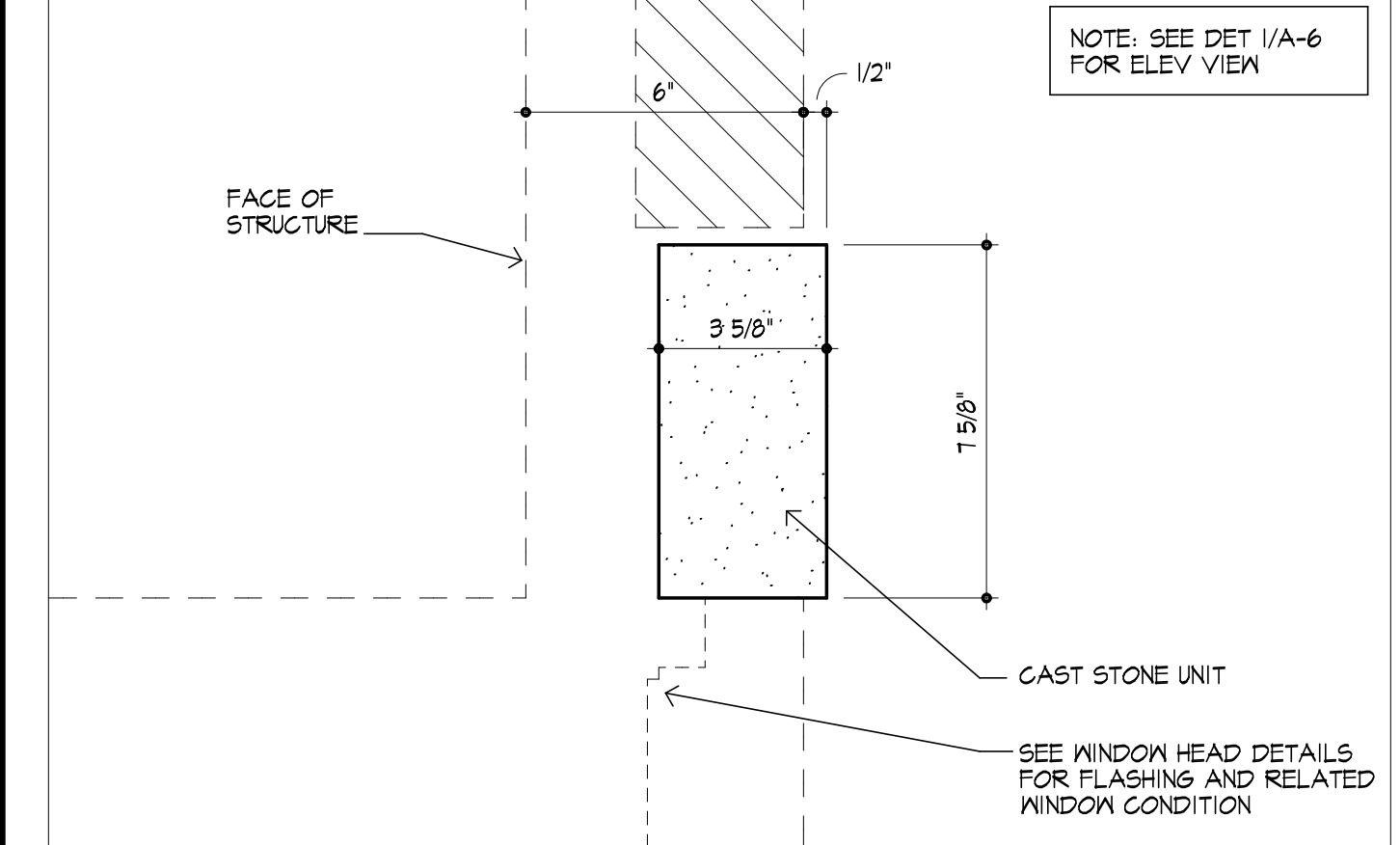
DRAWING TITLE  
**EXTERIOR ELEVATIONS**  
 DRAWING NUMBER  
**A-6**  
 OF 15



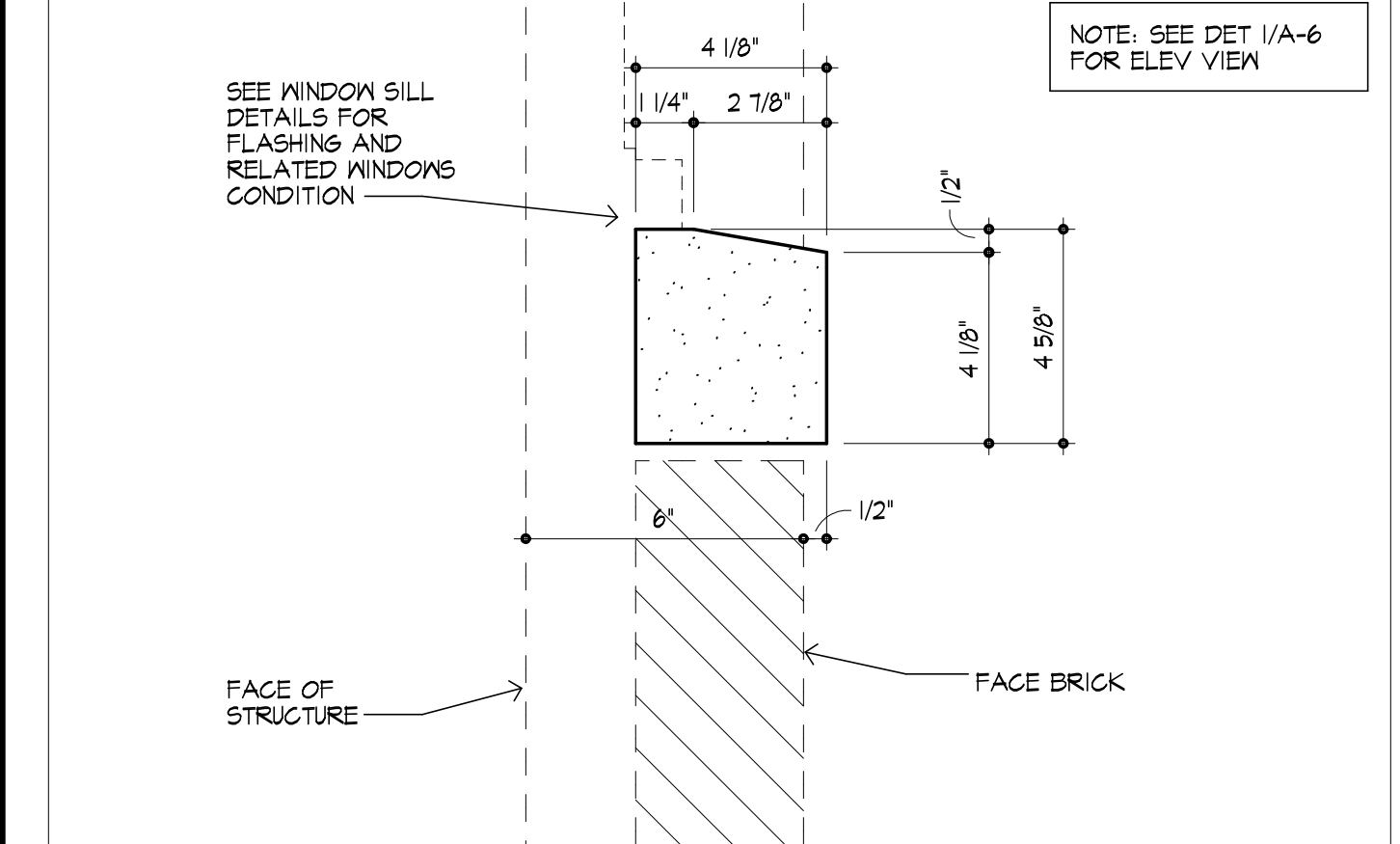
**1 CAST STONE HEADER AND SILL TYPES**  
 SCALE 3/8" = 1'-0"



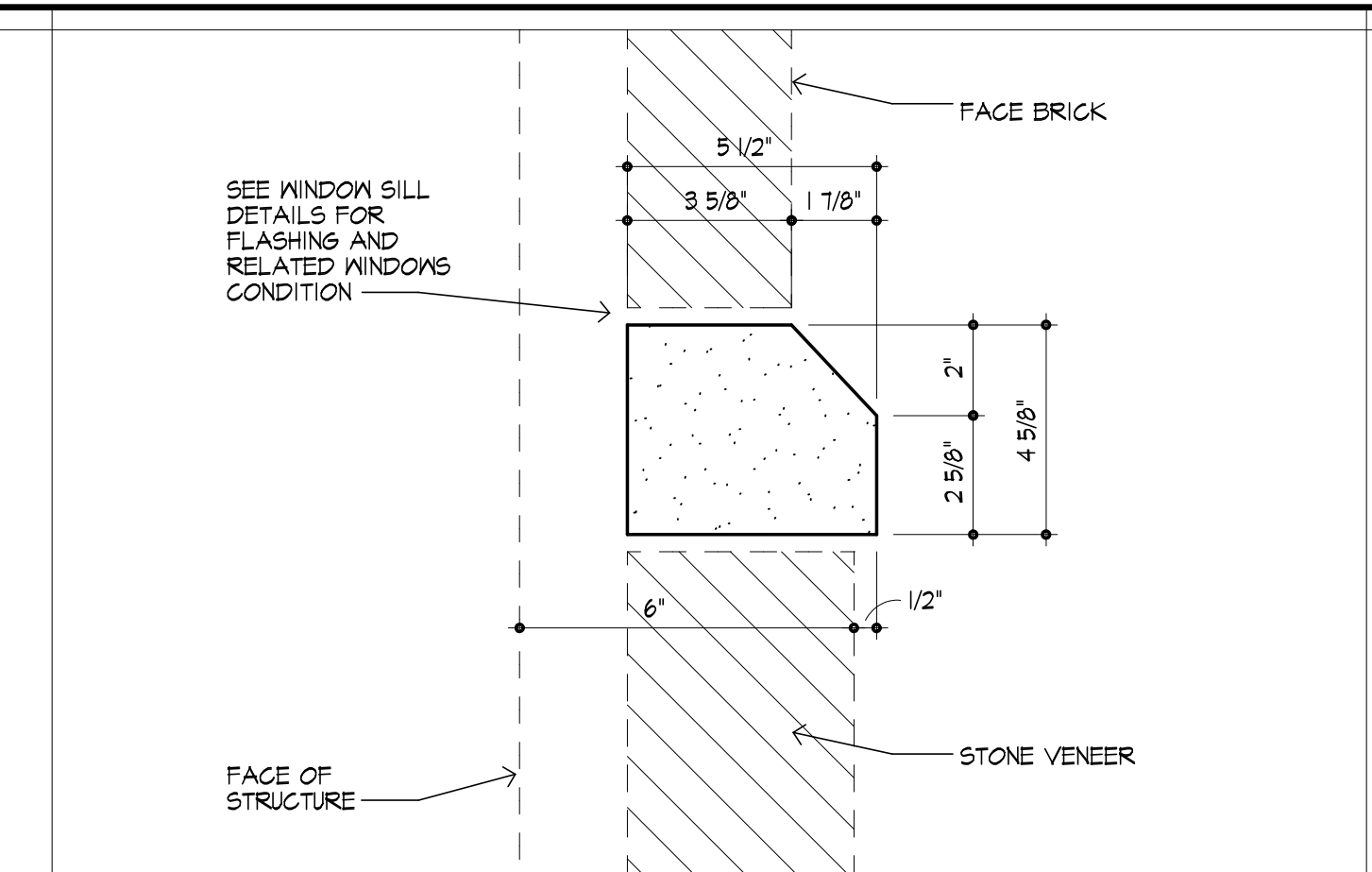
**2 DETAIL** CAST STONE COLUMN BASE UNIT  
 SCALE 1 1/2" = 1'-0"



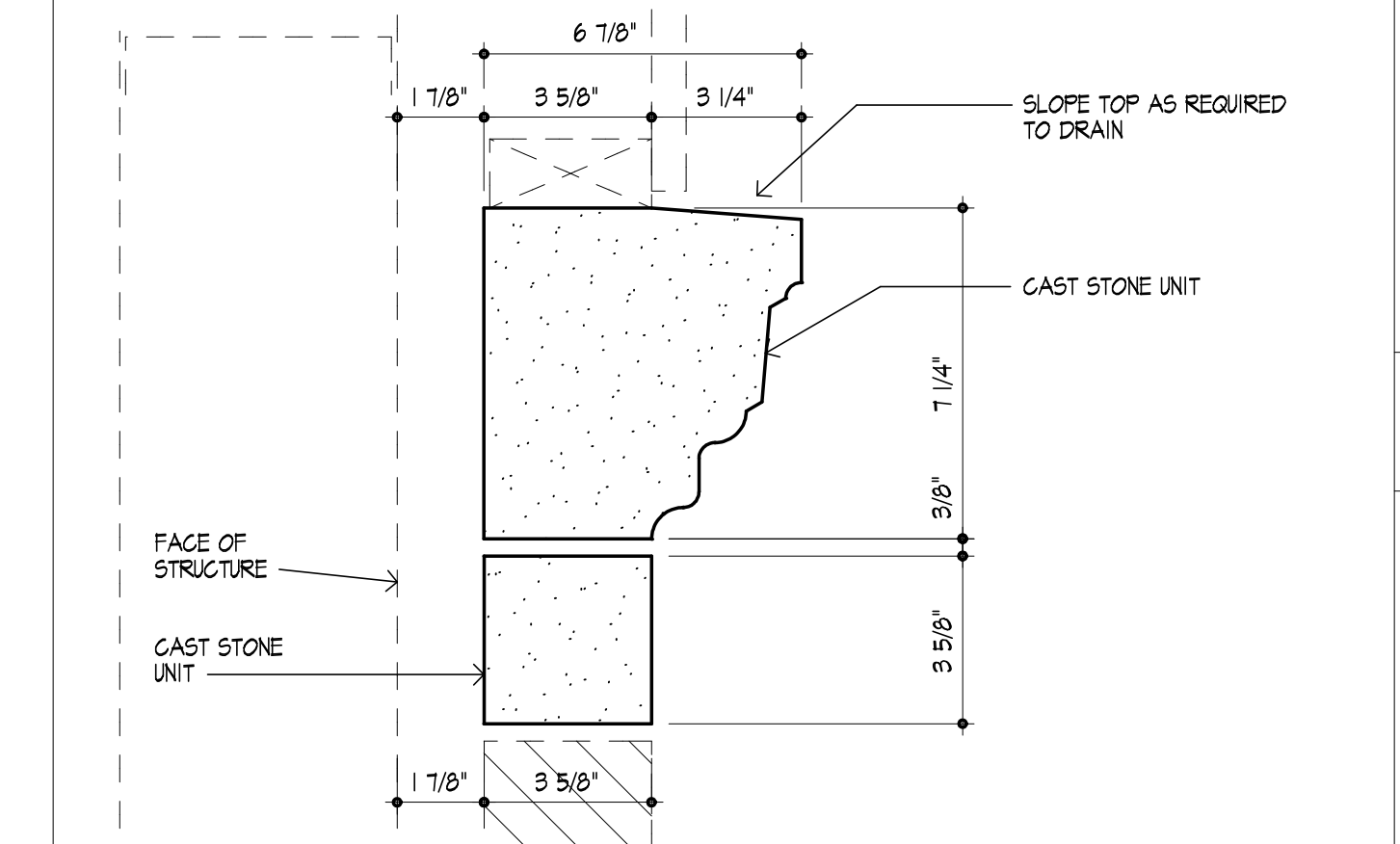
**3 DETAIL** CAST STONE MASONRY UNIT PLAIN HEADER - SEE EXT ELEV FOR LOCATIONS  
 SCALE 3" = 1'-0"



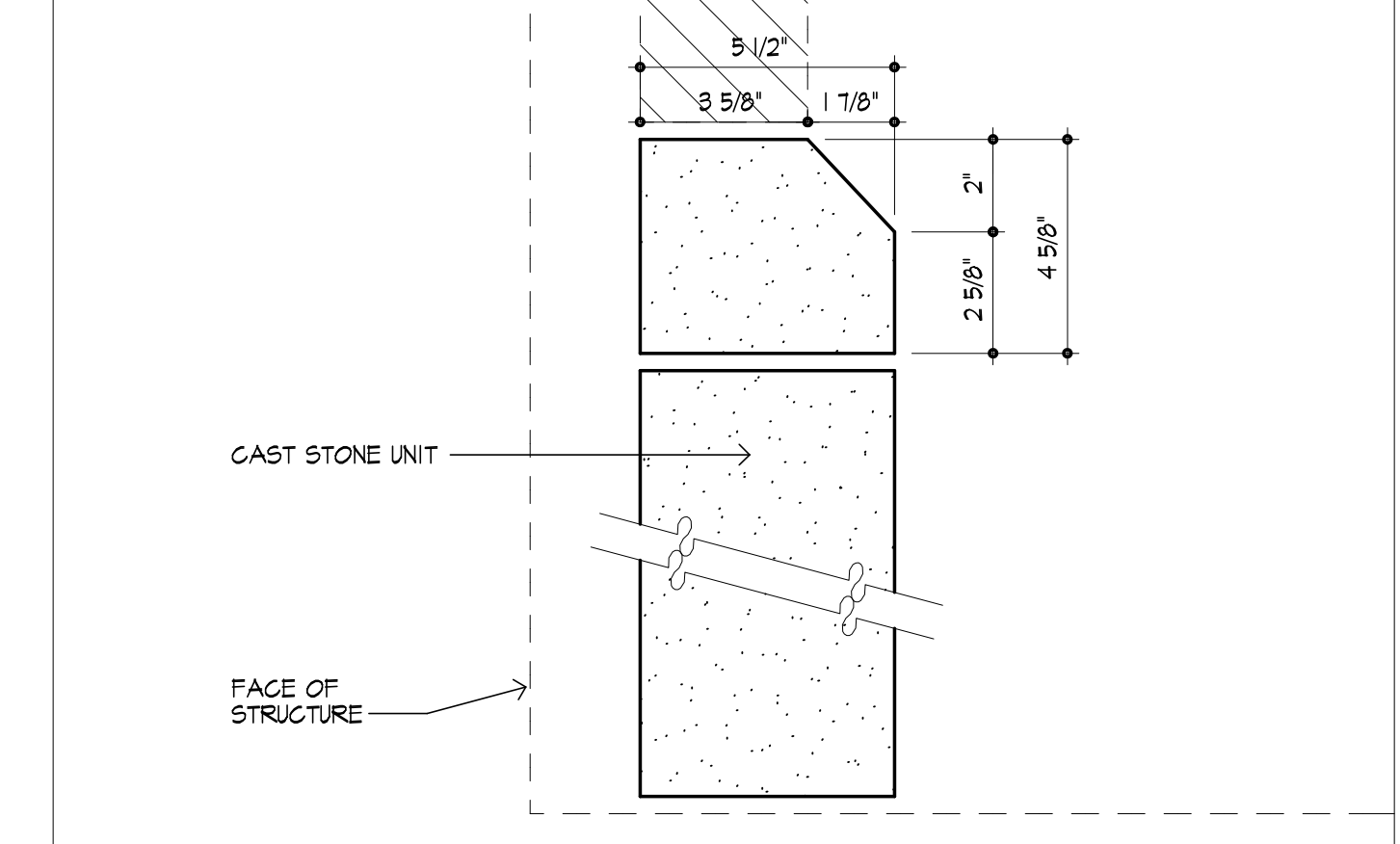
**4 DETAIL** CAST STONE MASONRY SILL UNIT - SEE EXT ELEV  
 SCALE 3" = 1'-0"



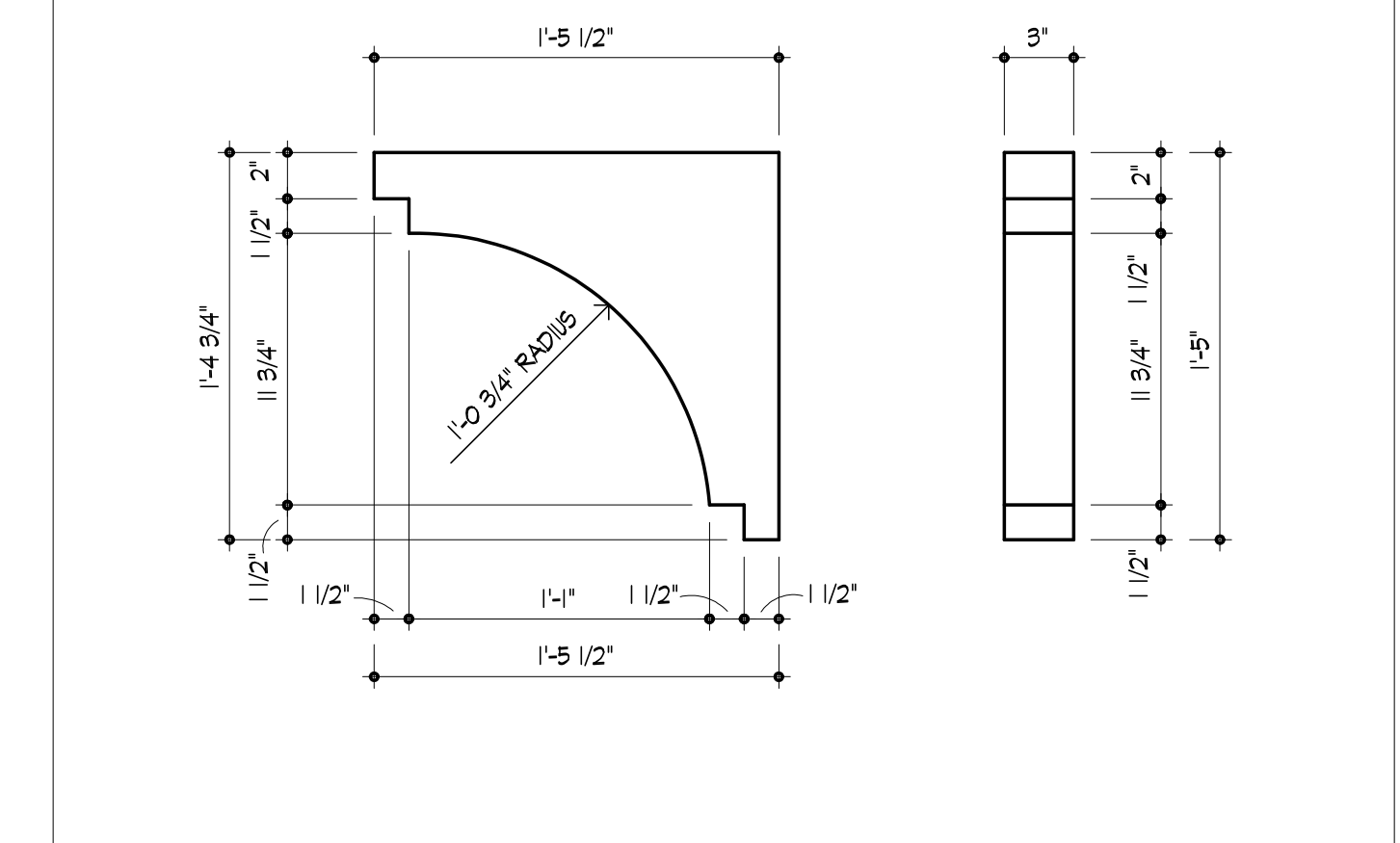
**5 DETAIL** CAST STONE MASONRY WATER TABLE UNIT - SEE EXT ELEV  
 SCALE 3" = 1'-0"



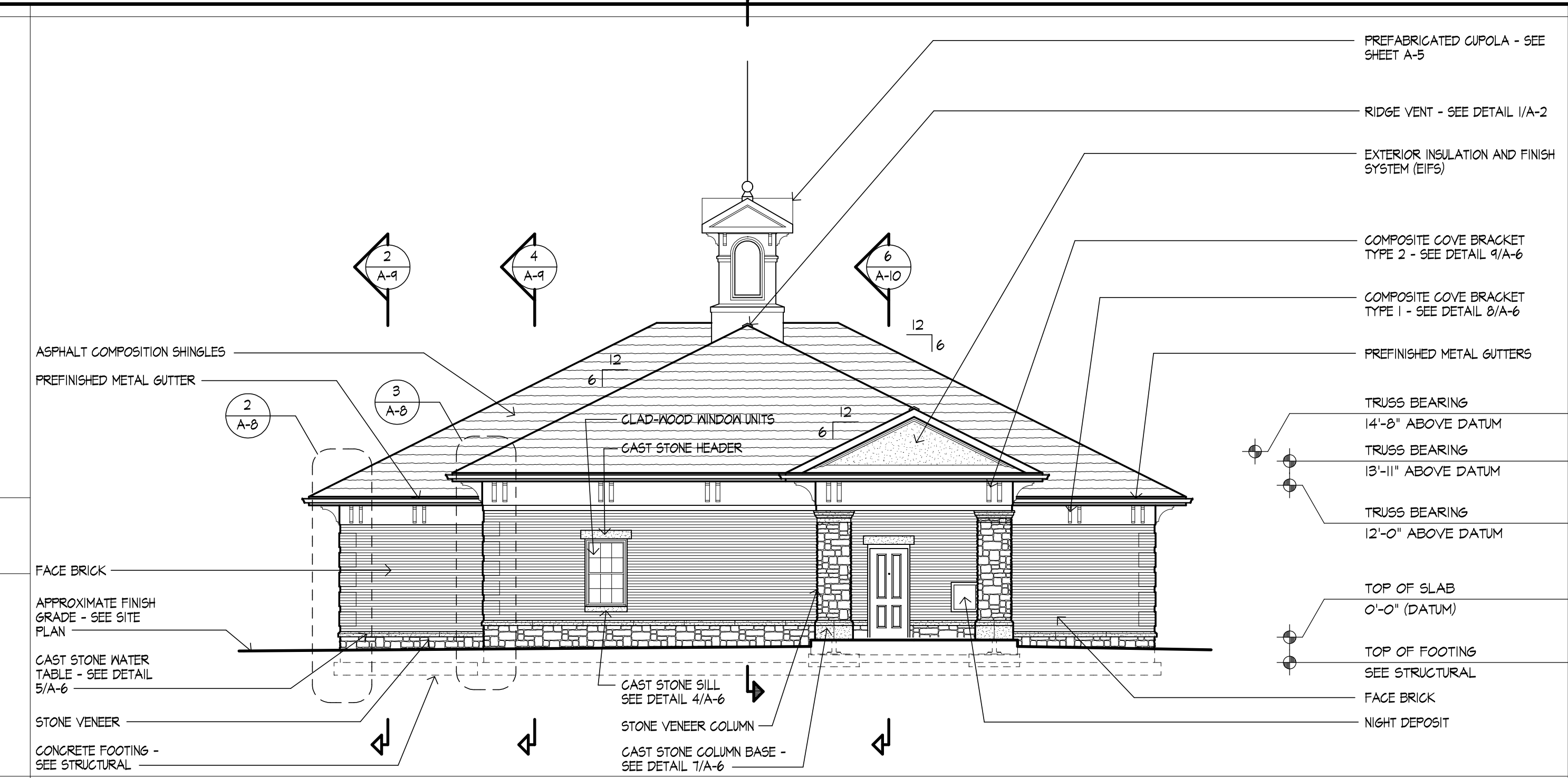
**6 DETAIL** CAST STONE MASONRY UNIT CAPITAL - SEE EXT ELEV FOR LOCATIONS  
 SCALE 3" = 1'-0"



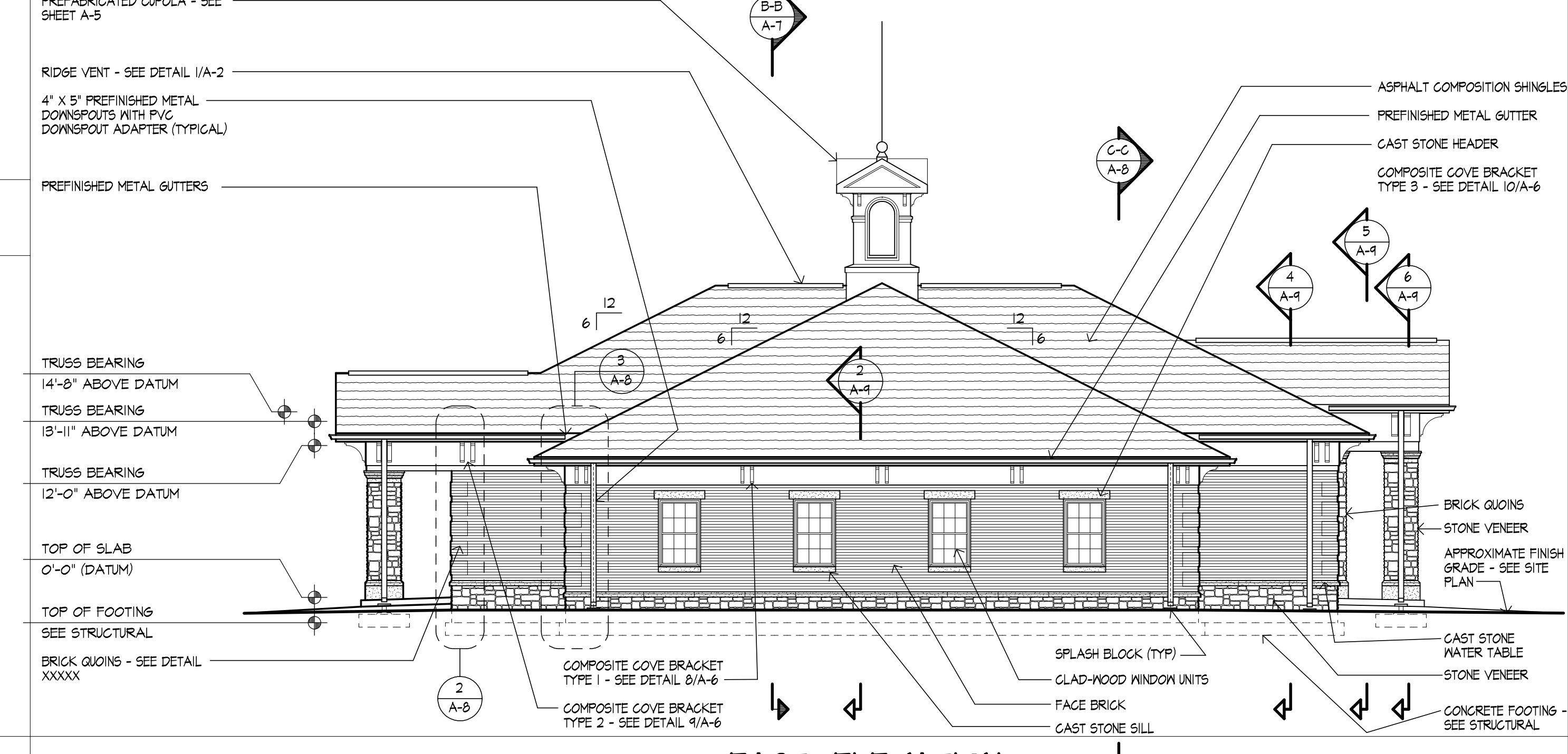
**7 DETAIL** CAST STONE MASONRY COLUMN BASE UNIT - SEE EXT ELEV  
 SCALE 3" = 1'-0"



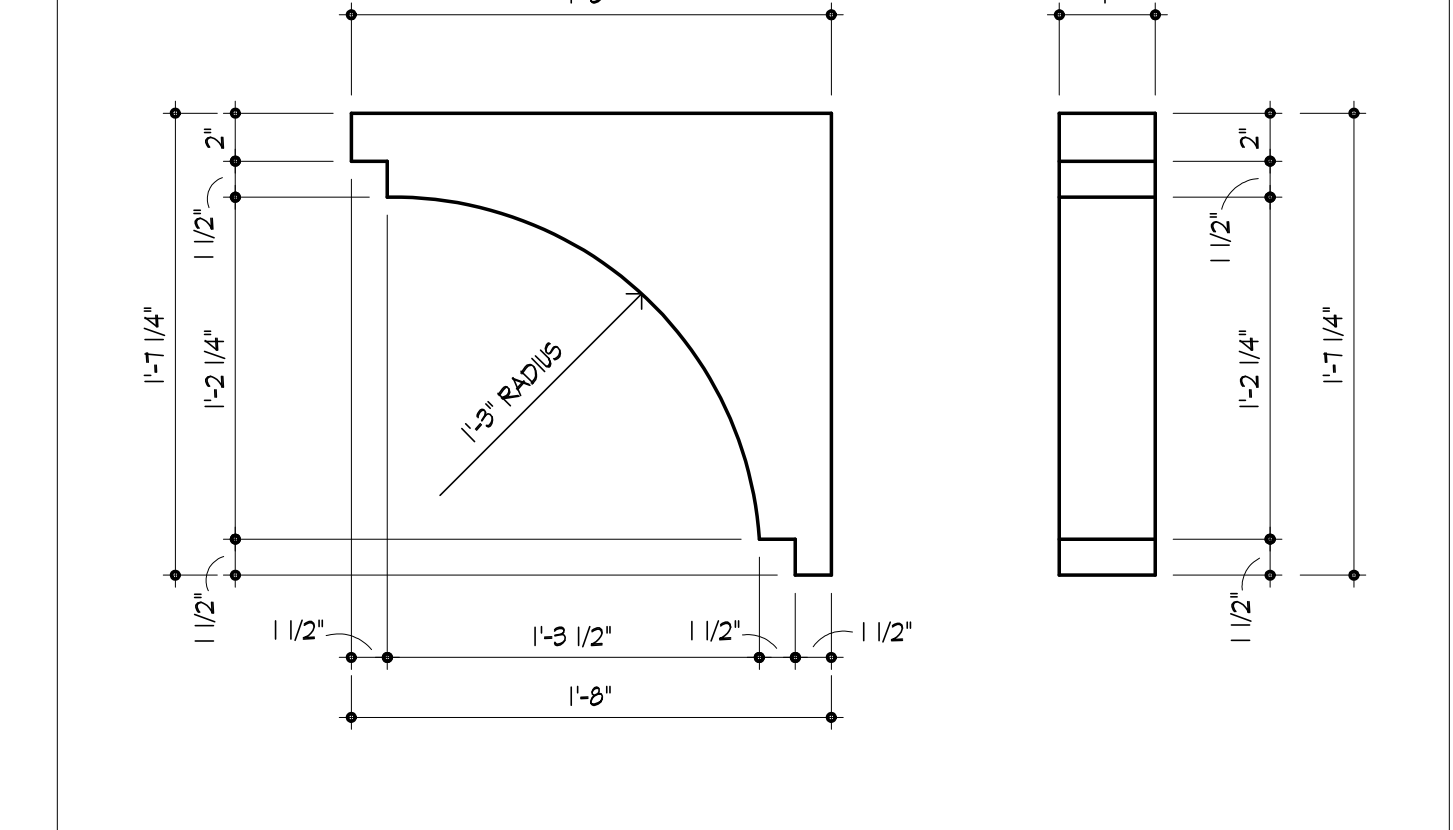
**8 DETAIL** COMPOSITE COVE BRACKET - TYPE 1  
 SCALE 1 1/2" = 1'-0"



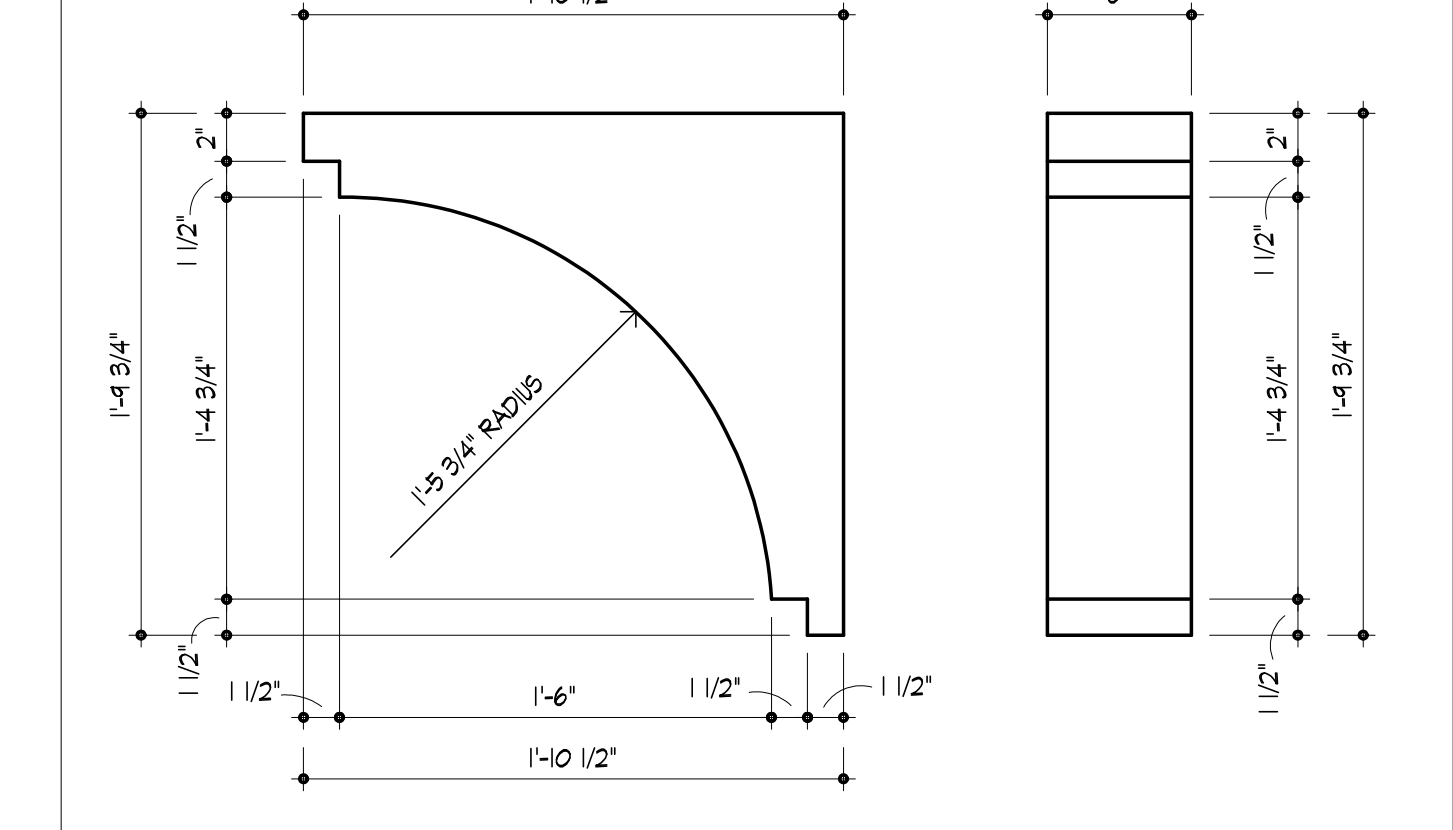
**SOUTH ELEVATION**  
 SCALE 1/8" = 1'-0"



**EAST ELEVATION**  
 SCALE 1/8" = 1'-0"



**9 DETAIL** COMPOSITE COVE BRACKET - TYPE 2  
 SCALE 1 1/2" = 1'-0"



**10 DETAIL** COMPOSITE COVE BRACKET - TYPE 3  
 SCALE 1 1/2" = 1'-0"