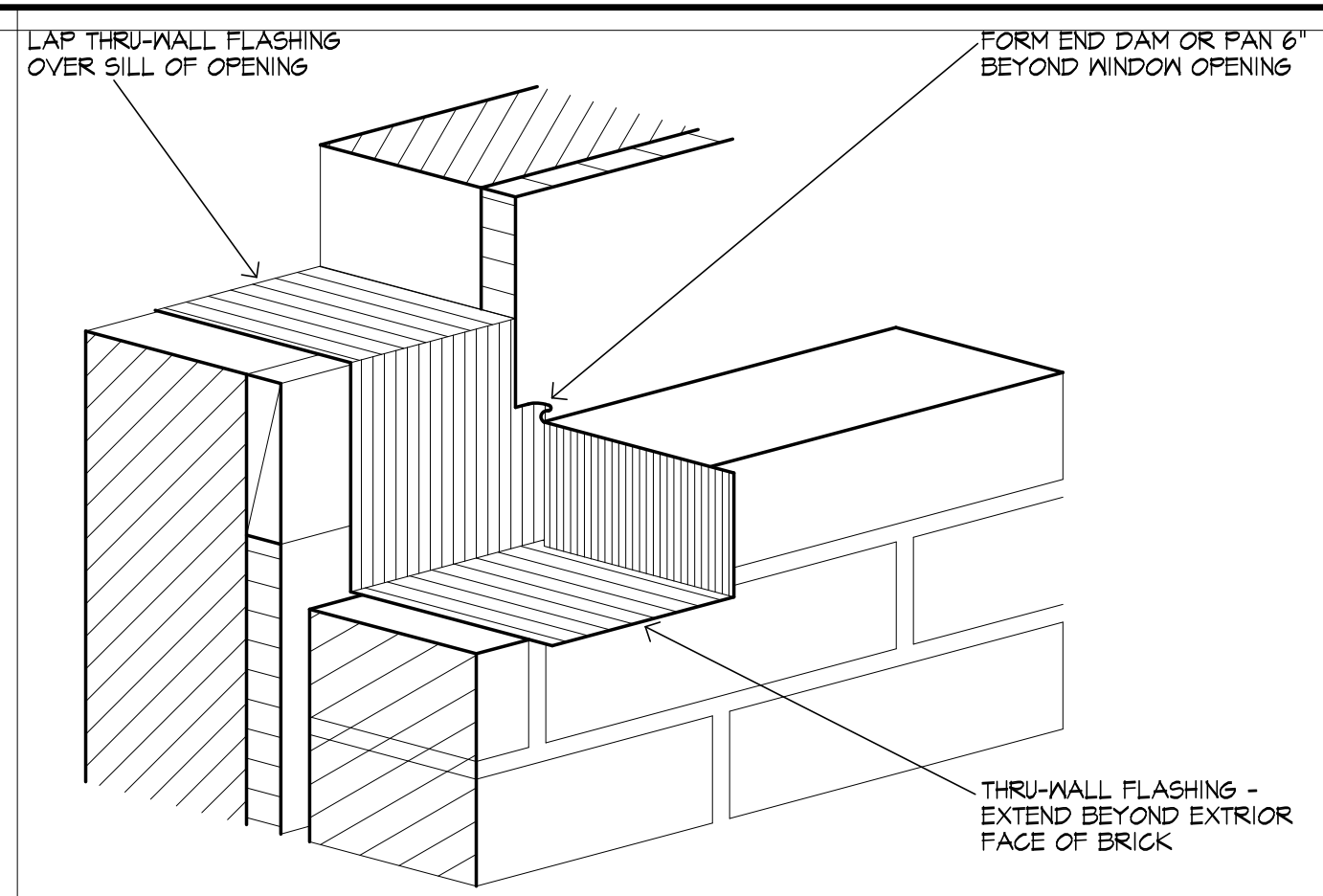


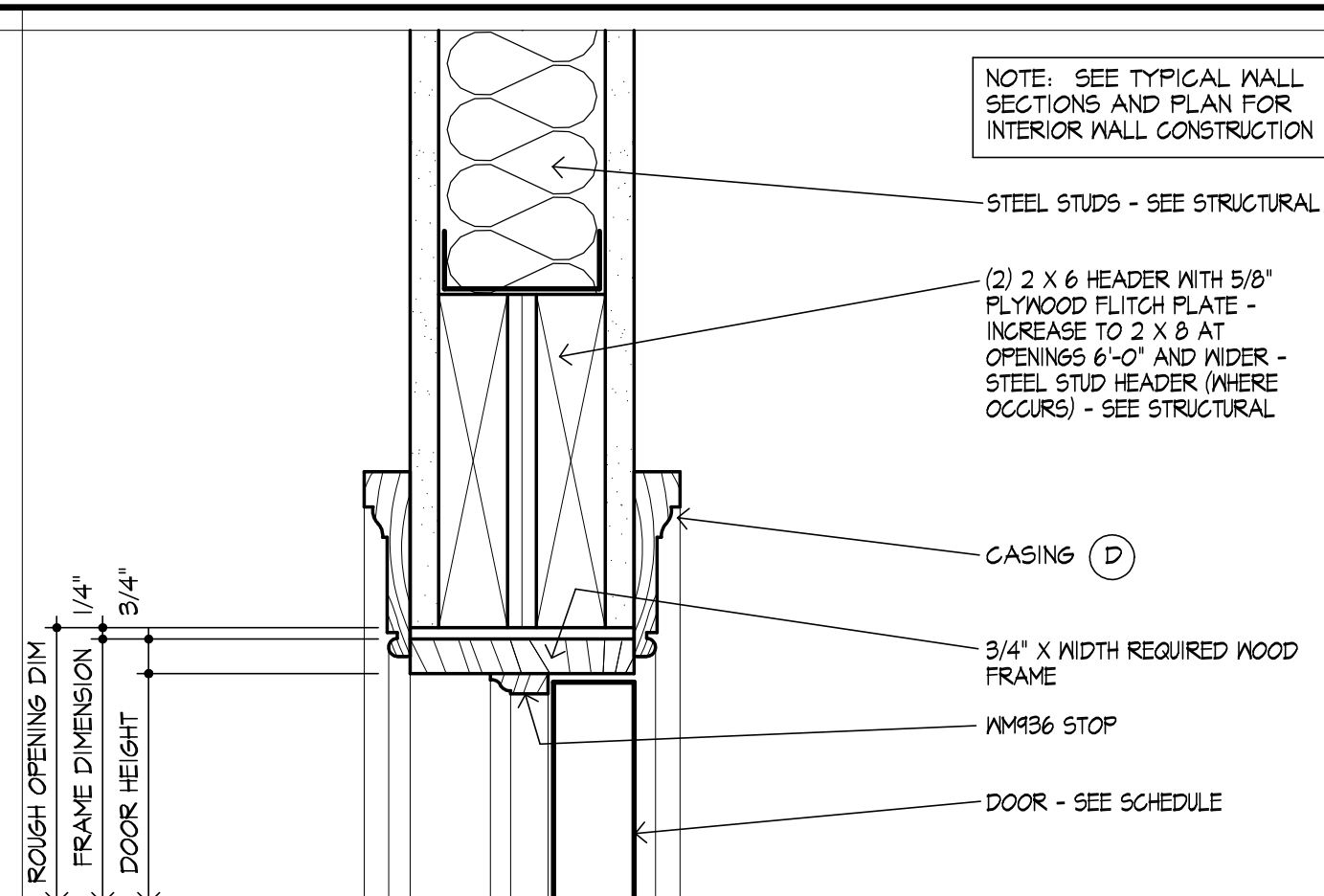
1 DETAIL
 SCALE 3" = 1'-0"

WINDOW/DOOR HEAD FLASHING



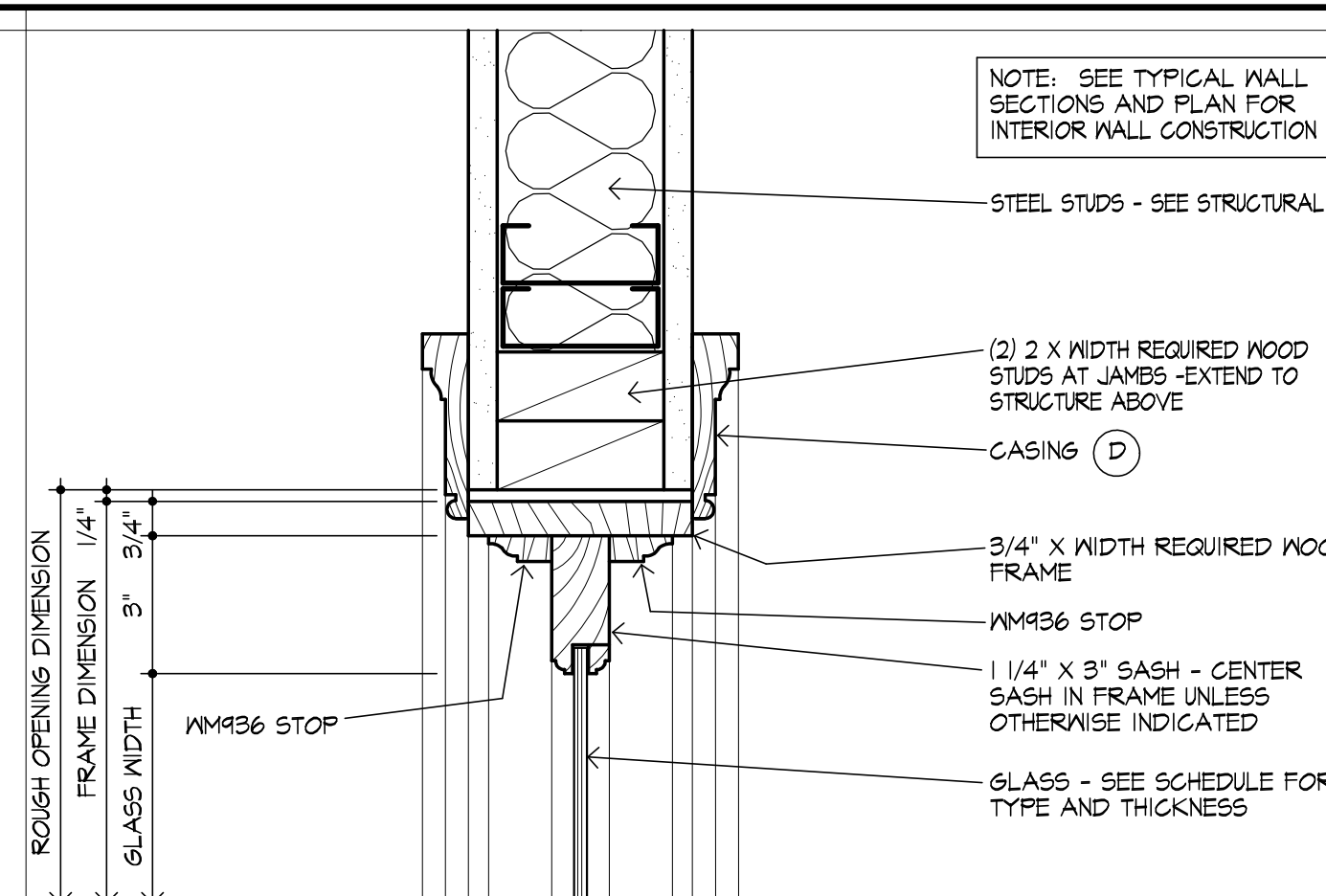
5 DETAIL
 SCALE 3" = 1'-0"

WINDOW SILL FLASHING



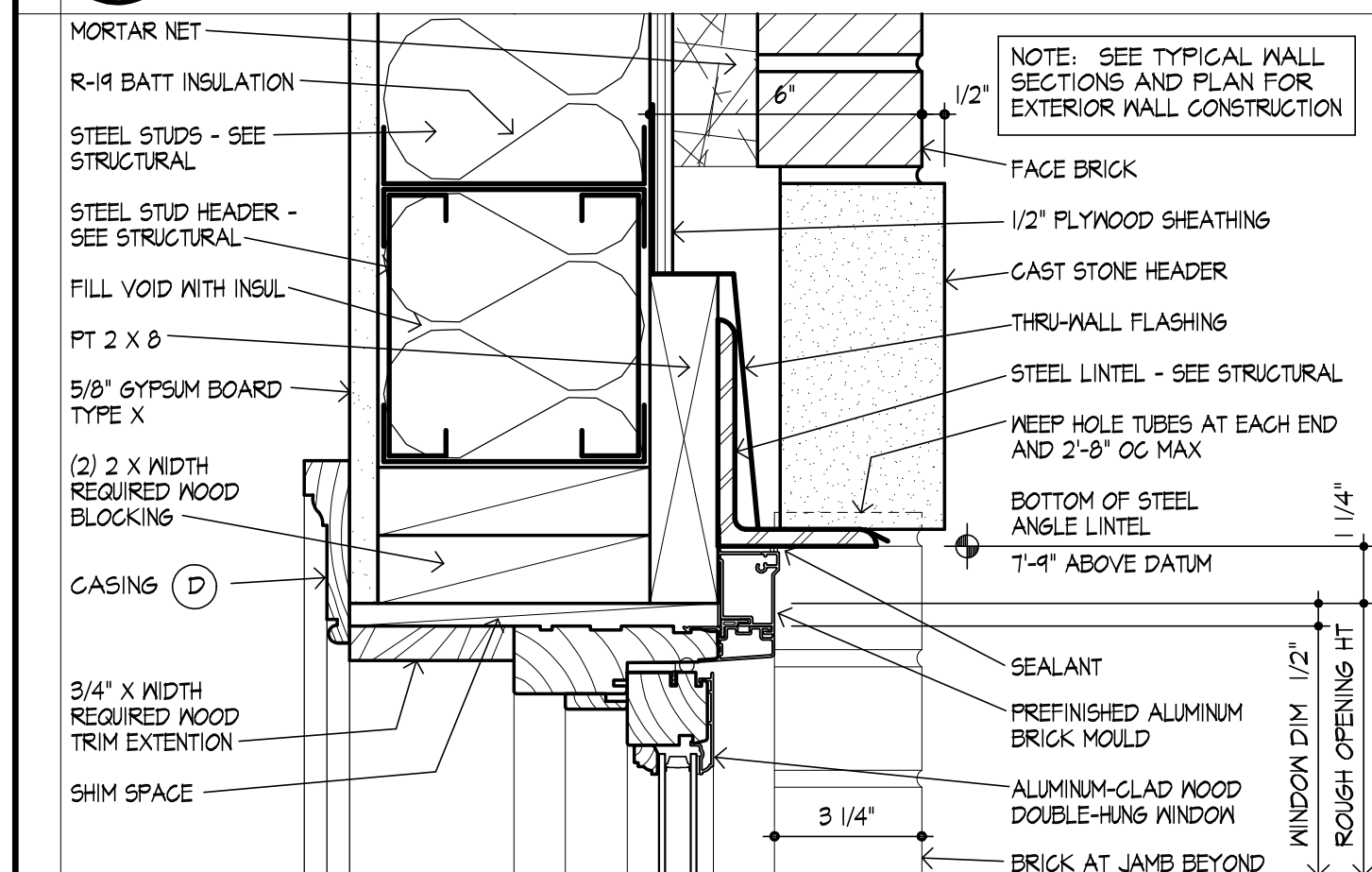
9 DETAIL
 SCALE 3" = 1'-0"

DOOR HEAD - INTERIOR WOOD FRAME



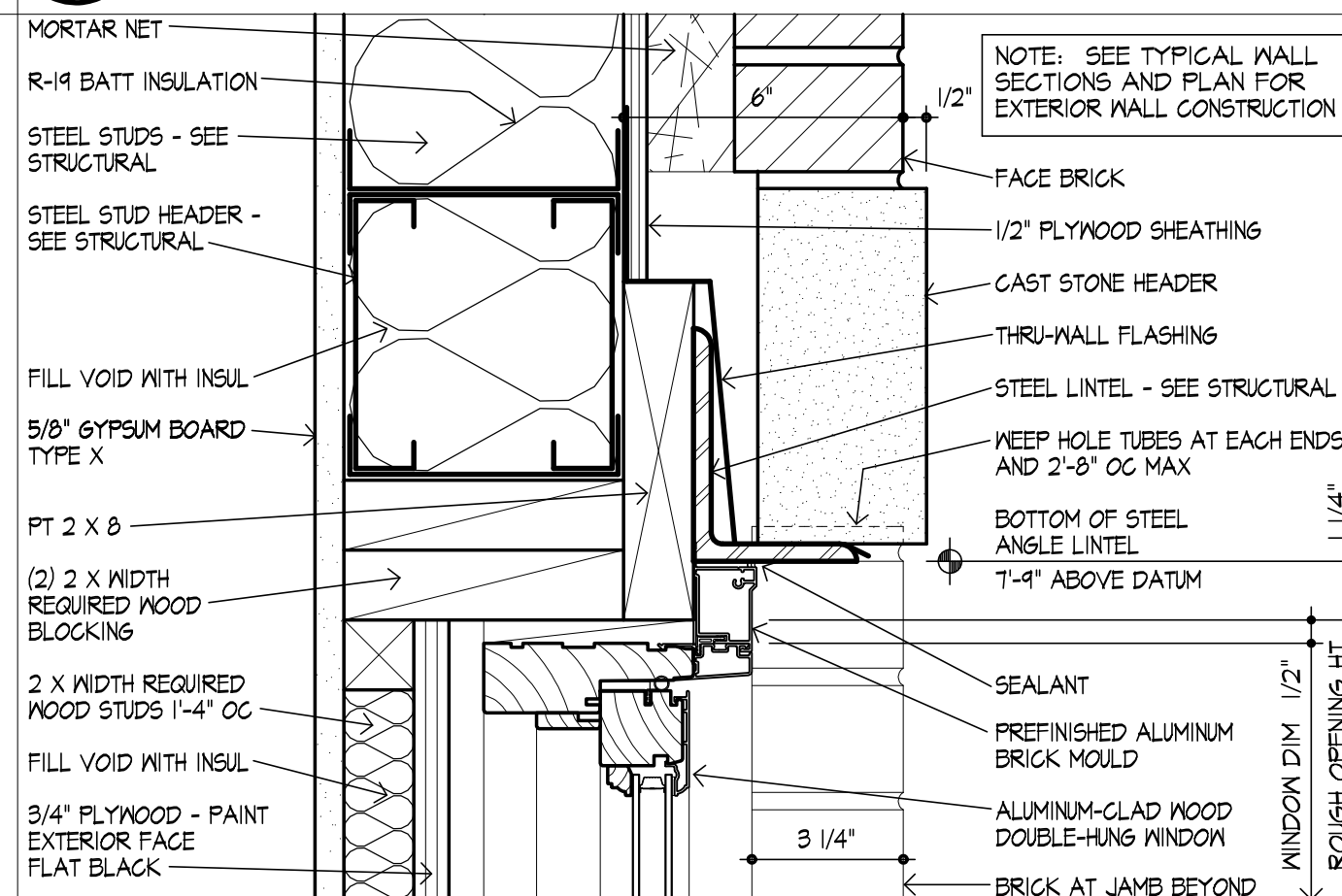
13 DETAIL
 SCALE 3" = 1'-0"

BORROWED LIGHT JAMB - INTERIOR WOOD FRAME



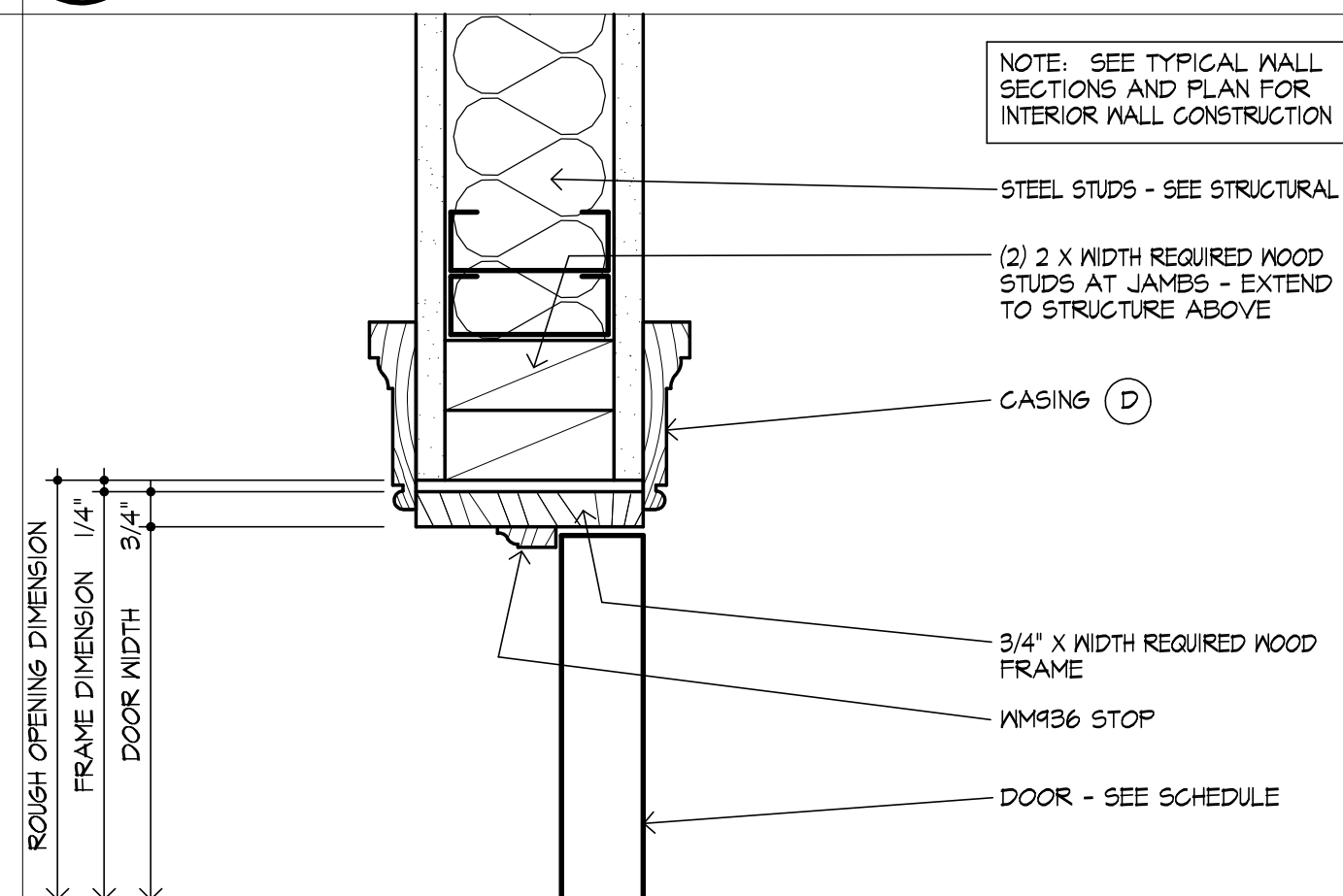
2 DETAIL
 SCALE 3" = 1'-0"

HEAD - ALUMINUM-CLAD WOOD DOUBLE-HUNG WINDOW



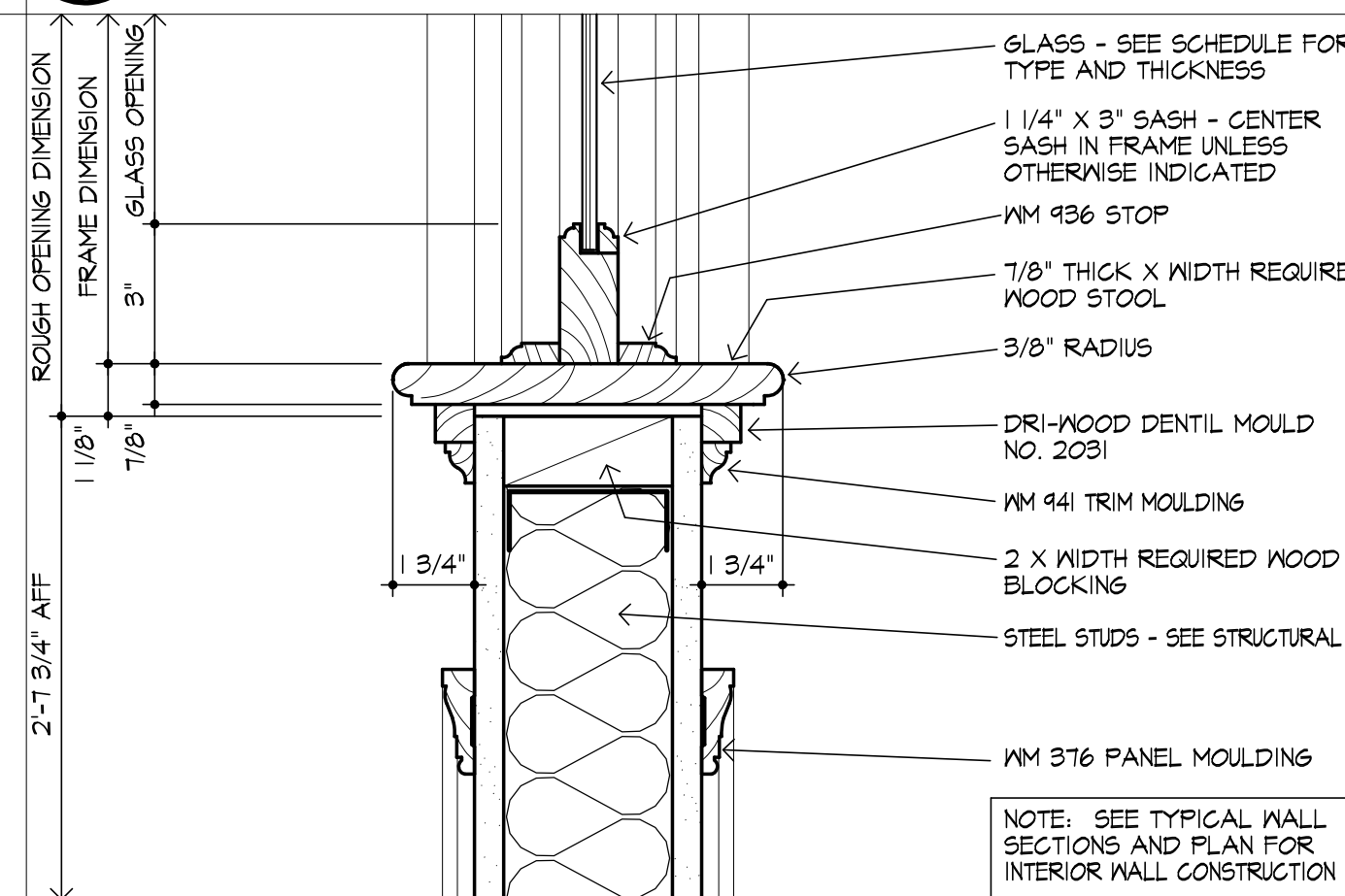
6 DETAIL
 SCALE 3" = 1'-0"

HEAD - ALUMINUM-CLAD WOOD DOUBLE-HUNG WINDOW



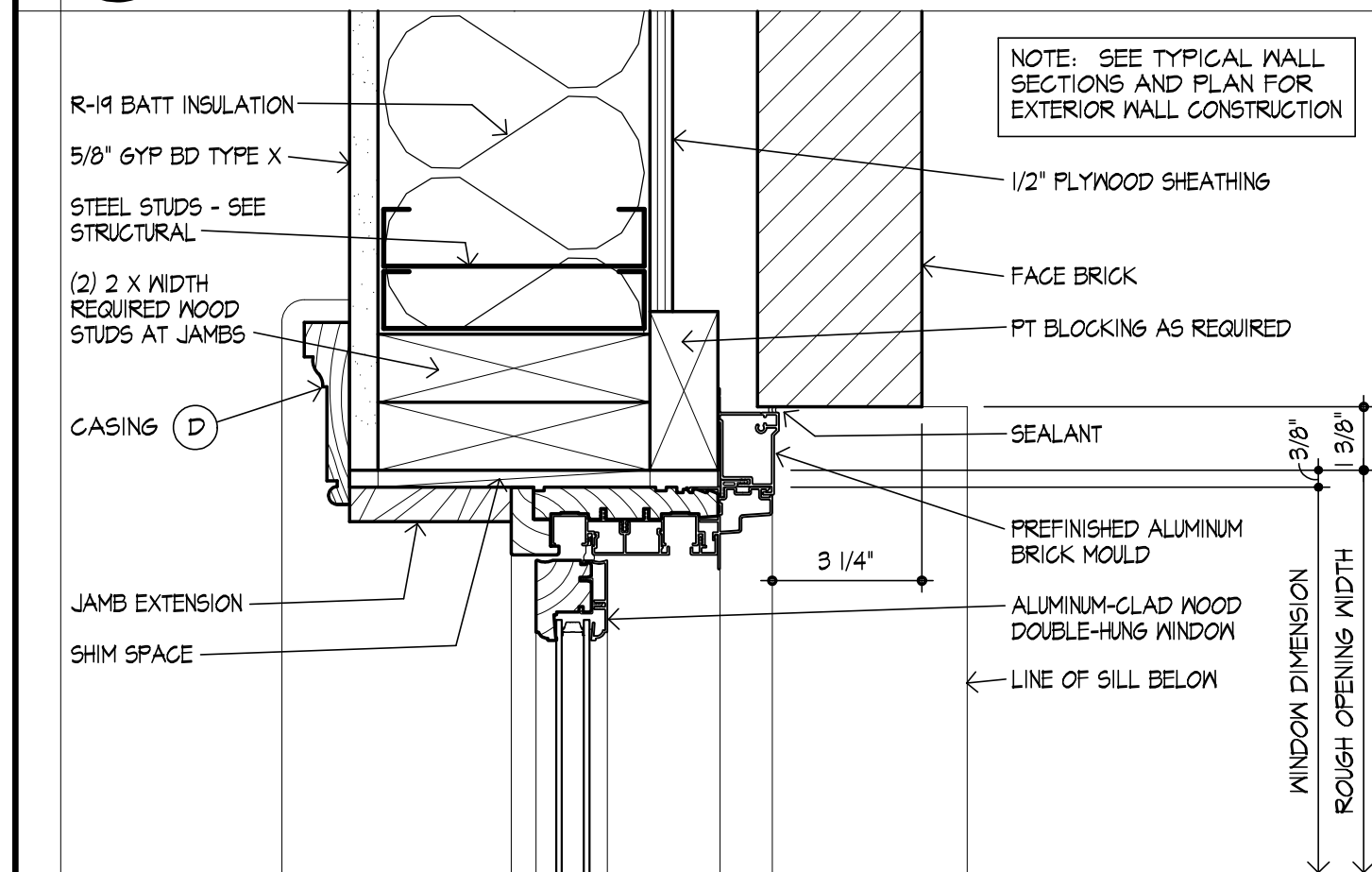
10 DETAIL
 SCALE 3" = 1'-0"

DOOR JAMB - INTERIOR WOOD FRAME



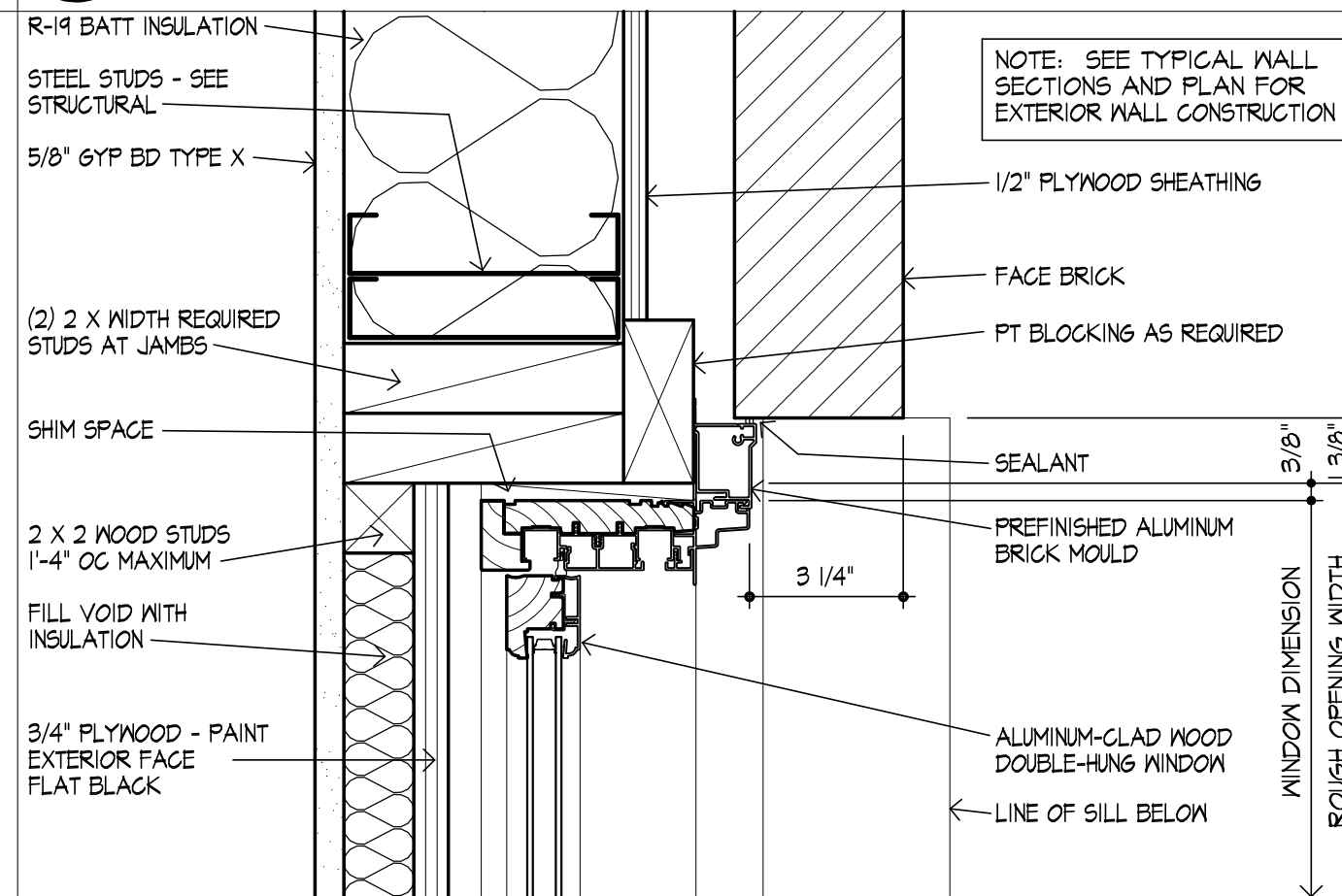
14 DETAIL
 SCALE 3" = 1'-0"

BORROWED LIGHT SILL - INTERIOR WOOD FRAME



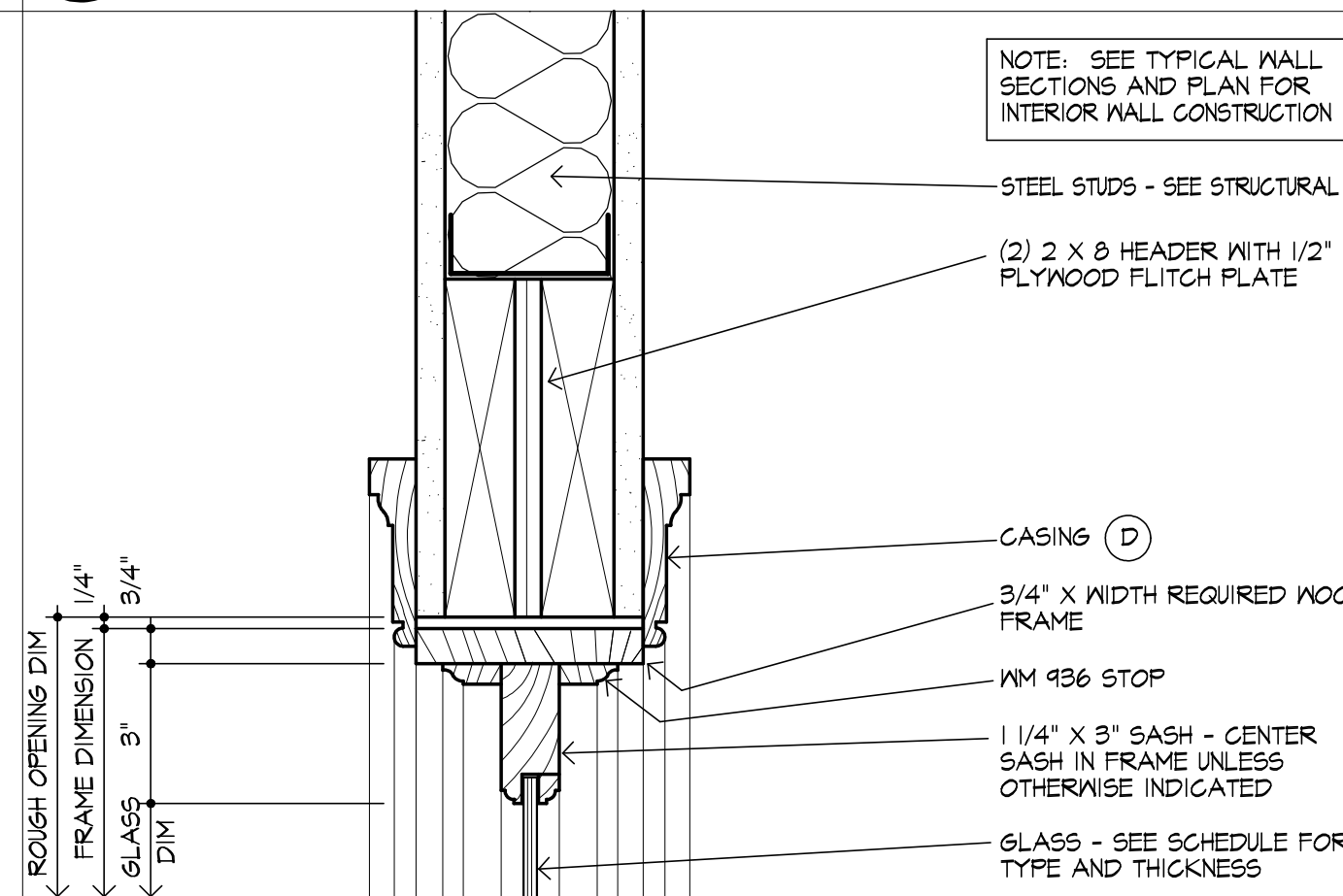
3 DETAIL
 SCALE 3" = 1'-0"

JAMB - ALUMINUM-CLAD WOOD DOUBLE-HUNG WINDOW



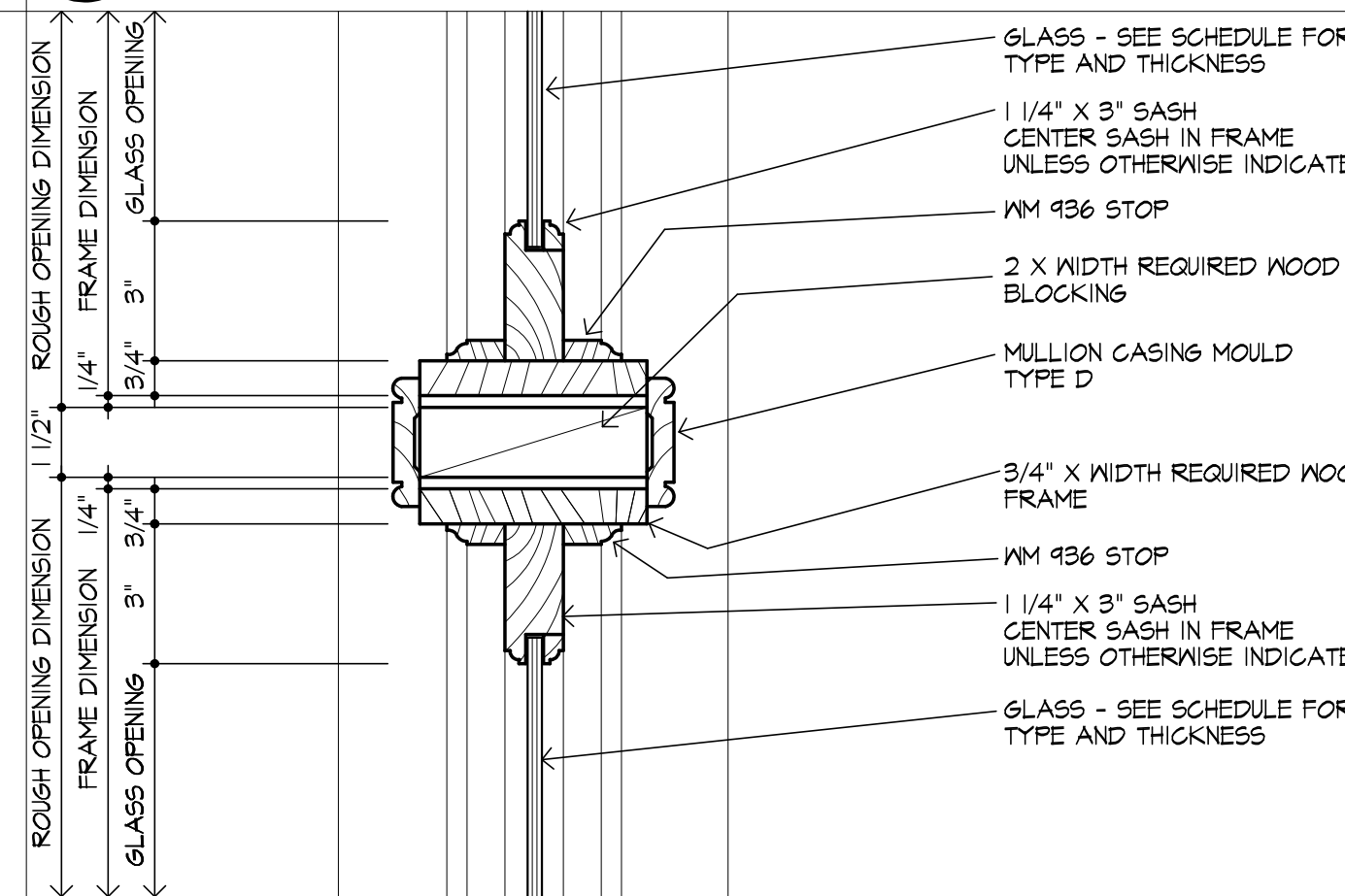
7 DETAIL
 SCALE 3" = 1'-0"

JAMB - ALUMINUM-CLAD WOOD DOUBLE-HUNG WINDOW



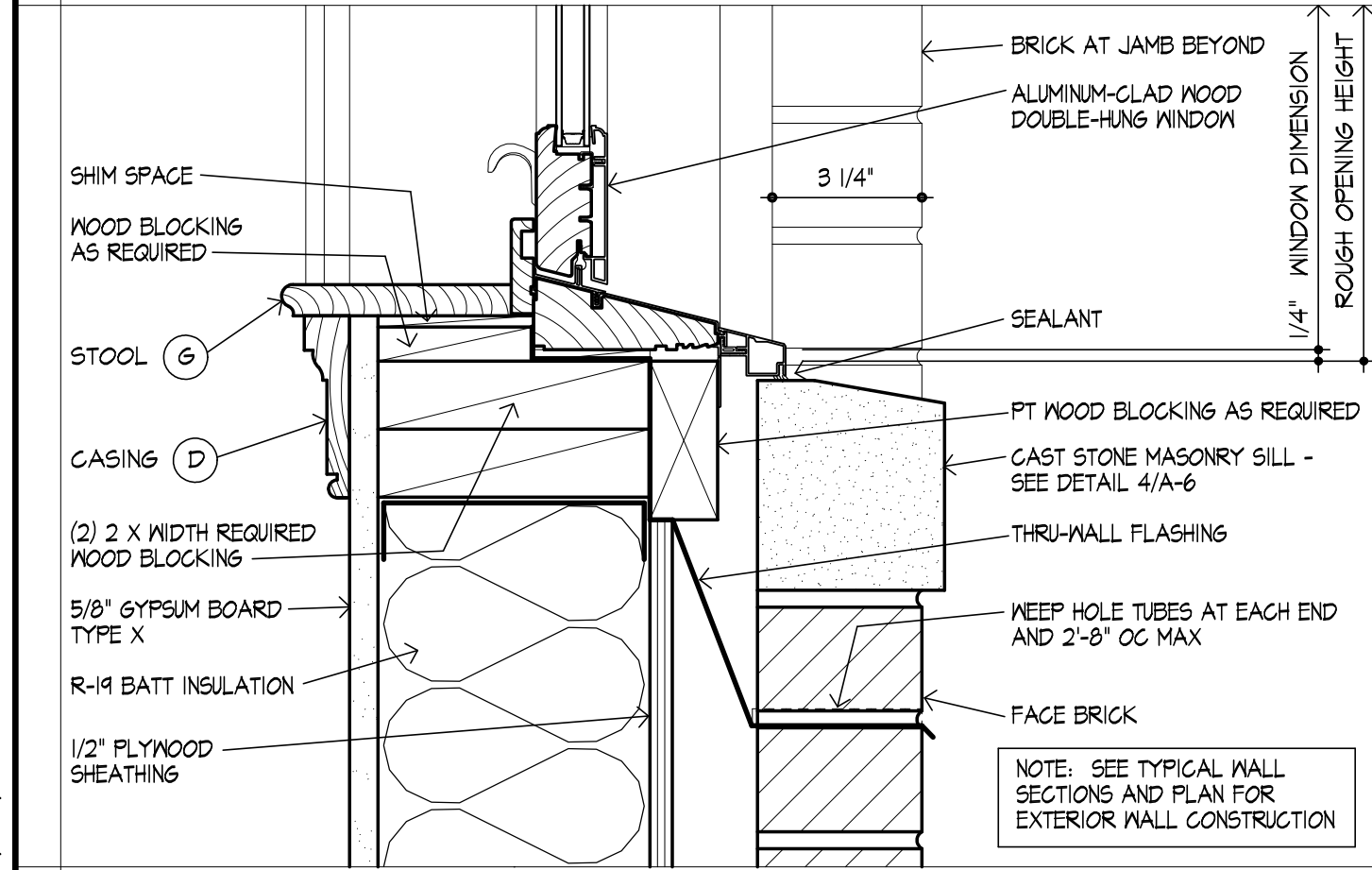
11 DETAIL
 SCALE 3" = 1'-0"

BORROWED LIGHT HEAD - INTERIOR WOOD FRAME



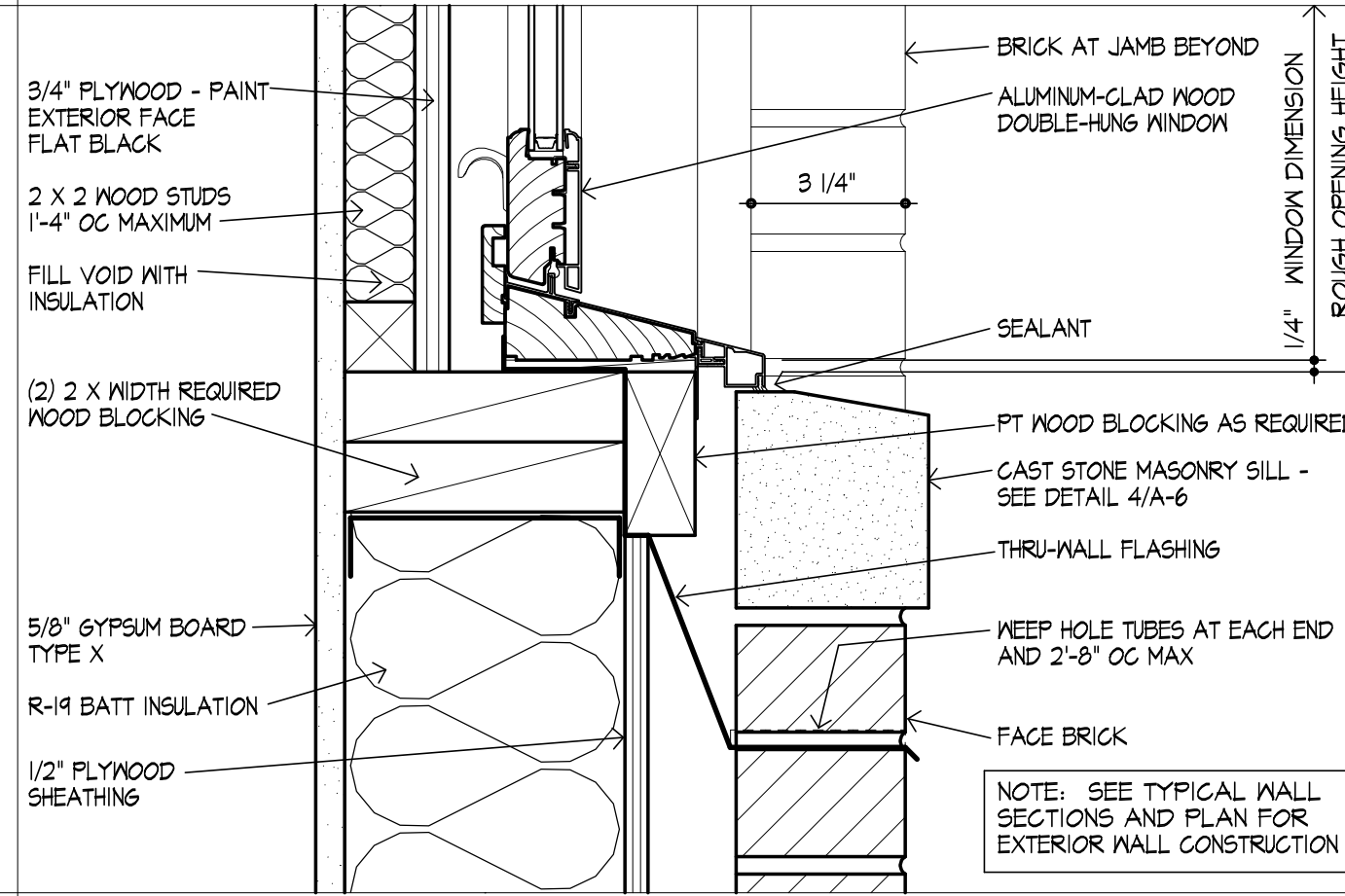
15 DETAIL
 SCALE 3" = 1'-0"

BORROWED LIGHT MULLION - INTERIOR WOOD FRAME



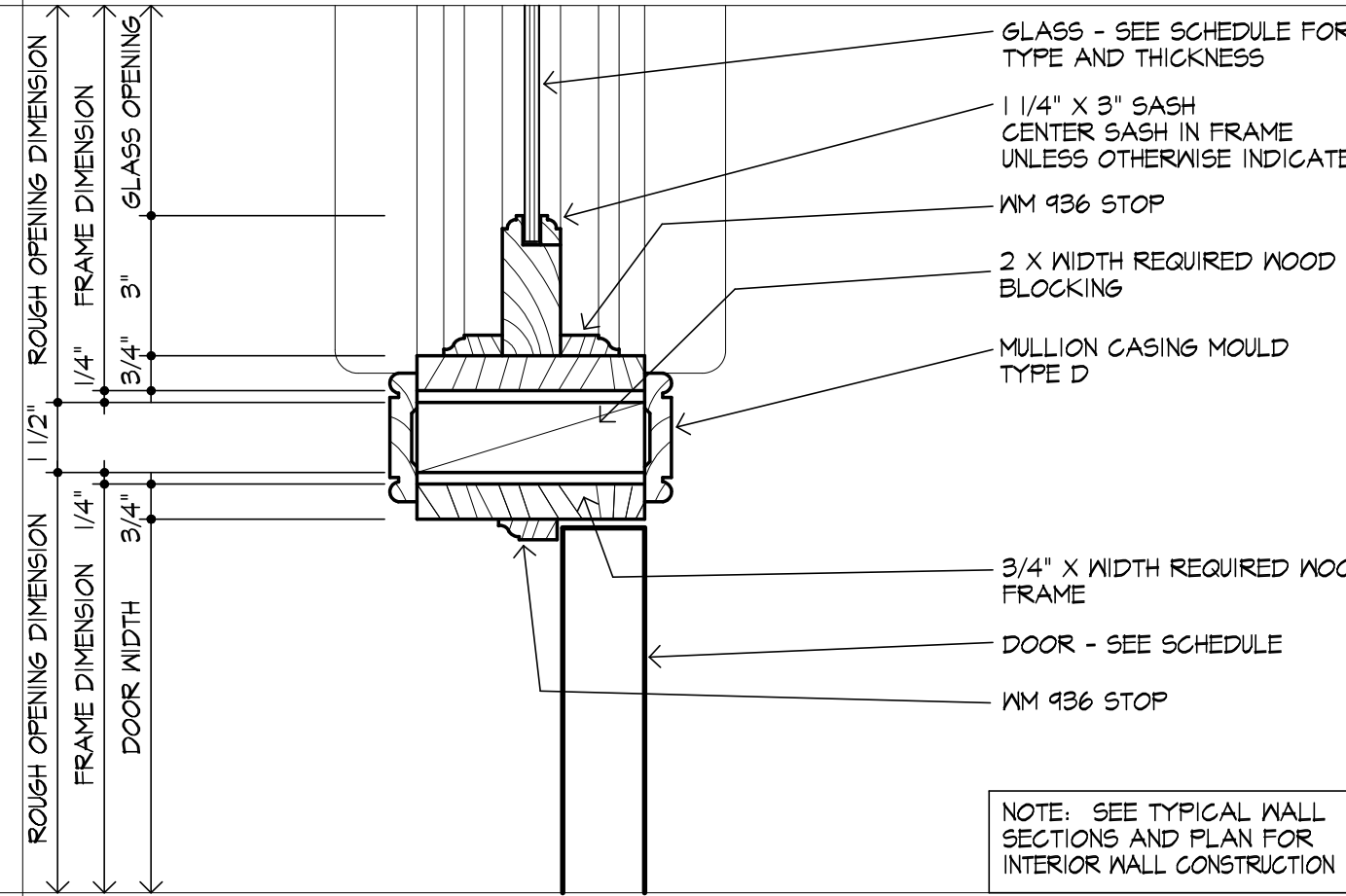
4 DETAIL
 SCALE 3" = 1'-0"

SILL - ALUMINUM-CLAD WOOD DOUBLE-HUNG WINDOW



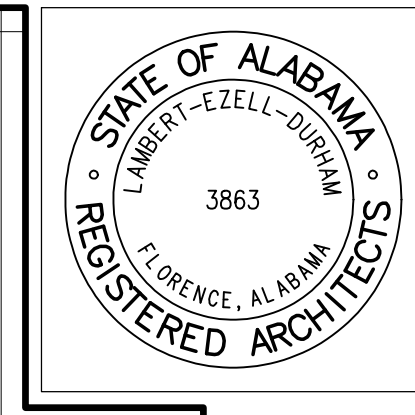
8 DETAIL
 SCALE 3" = 1'-0"

SILL - ALUMINUM-CLAD WOOD DOUBLE-HUNG WINDOW



12 DETAIL
 SCALE 3" = 1'-0"

DOOR MULLION - INTERIOR WOOD FRAME



LAMBERT • EZELL • DURHAM
 ARCHITECTURE, LLC
 P.O. BOX 984 401 EAST COLLEGE ST.
 FLORENCE, ALABAMA 36631
 WWW.LEDAARCHITECTURE.COM
 TELEPHONE (256) 161-1100

BRANCH BANK FOR
TRADERS AND FARMERS BANK
 DOUBLE SPRINGS, ALABAMA

JOB NO: 1612 DATE: 11/30/17
 DRAWN: GAS, JNH REVISIONS:
 CHECKED: CED

DRAWING TITLE
WINDOW / DOOR
DETAILS
 DRAWING NUMBER
A-11
 OF 15