

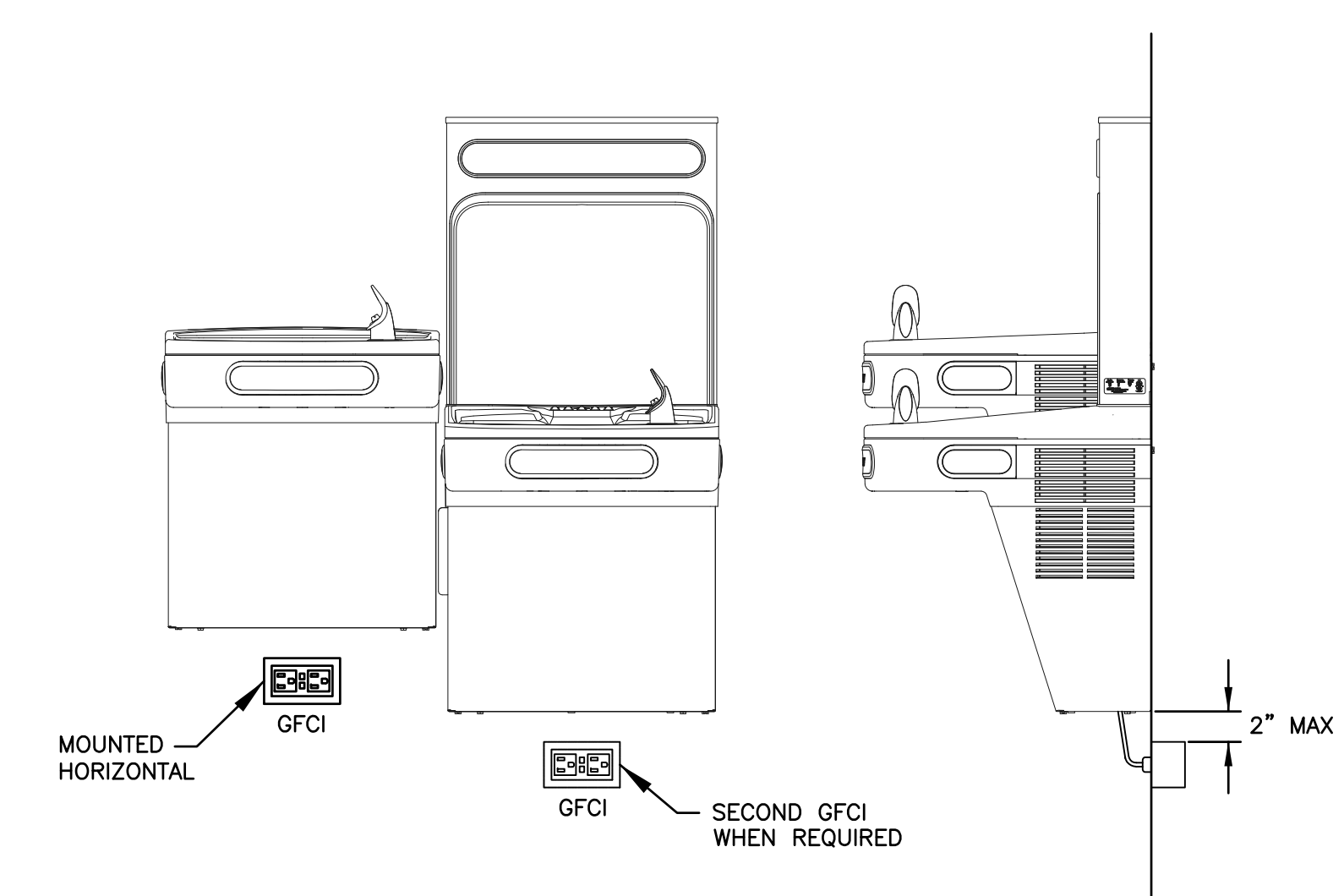
Minimum Cover Requirements, 0 to 600 Volts, Nominal, Burial in Inches

Location of Wiring Method or Circuit	Type of Wiring Method or Circuit				
	Column 1 Direct Burial Cables or Conductors	Column 2 Rigid Metal Conduit or Intermediate Metal Conduit	Column 3 Nonmetallic Raceways Listed for Direct Burial Without Concrete Encasement or Other Approved Raceways	Column 4 Residential Branch Circuits Rated 120 Volts or Less With GFCI Protection and Maximum Protection of 20 Amperes	Column 5 Circuits for Control of Irrigation and Landscape Lighting Limited to Not More Than 30 Volts and Installed with Type UF or in Other Identified Cable or Raceway
	In Inches	In Inches	In Inches	In Inches	In Inches
All Locations not Specified Below	24	6	18	12	6
In Trench Below 2" Thick Concrete or Equivalent	18	6	12	6	6
Under Building	0 (In Raceway Only)	0	0	0 (In Raceway Only)	0 (In Raceway Only)
Under Minimum of 4" Thick Concrete Exterior Slab With No Vehicular Traffic and the Slab Extending Not Less Than 6" Beyond the Underground Installation	18	4	4	6 (Direct Burial) 4 (In Raceway)	6
Under Streets, Highways, Roads, Alleys, Driveways, and Parking Lots	24	24	24	24	24
One- and Two-Family Dwelling Driveways and Outdoor Parking Areas, and Used Only for Dwelling-Related Purposes	18	18	18	12	18
In or Under Airport Runways, including Adjacent Areas Where Trespassing is Prohibited	18	18	18	18	18

Notes:

- Cover is defined as the shortest distance in inches measured between a point on the top surface of any direct-buried conductor, cable, conduit, or other raceway and the top surface of finished grade, concrete, or similar cover.
- Raceways approved for burial only where concrete encased shall require concrete envelope not less than 2" thick.
- Lesser depths shall be permitted where cables and conductors rise for termination's or splices or where access is otherwise required.
- Where one of the wiring method types listed in Columns 1-3 is used for one of the circuit types in Column 4 and 5, the shallower depth of burial shall be permitted.
- Where solid rock prevents compliance with the cover depths specified in this table, the wiring shall be installed in metal or nonmetallic raceway permitted for direct burial. The raceways shall be covered by a minimum of 2" of concrete extending down to rock.

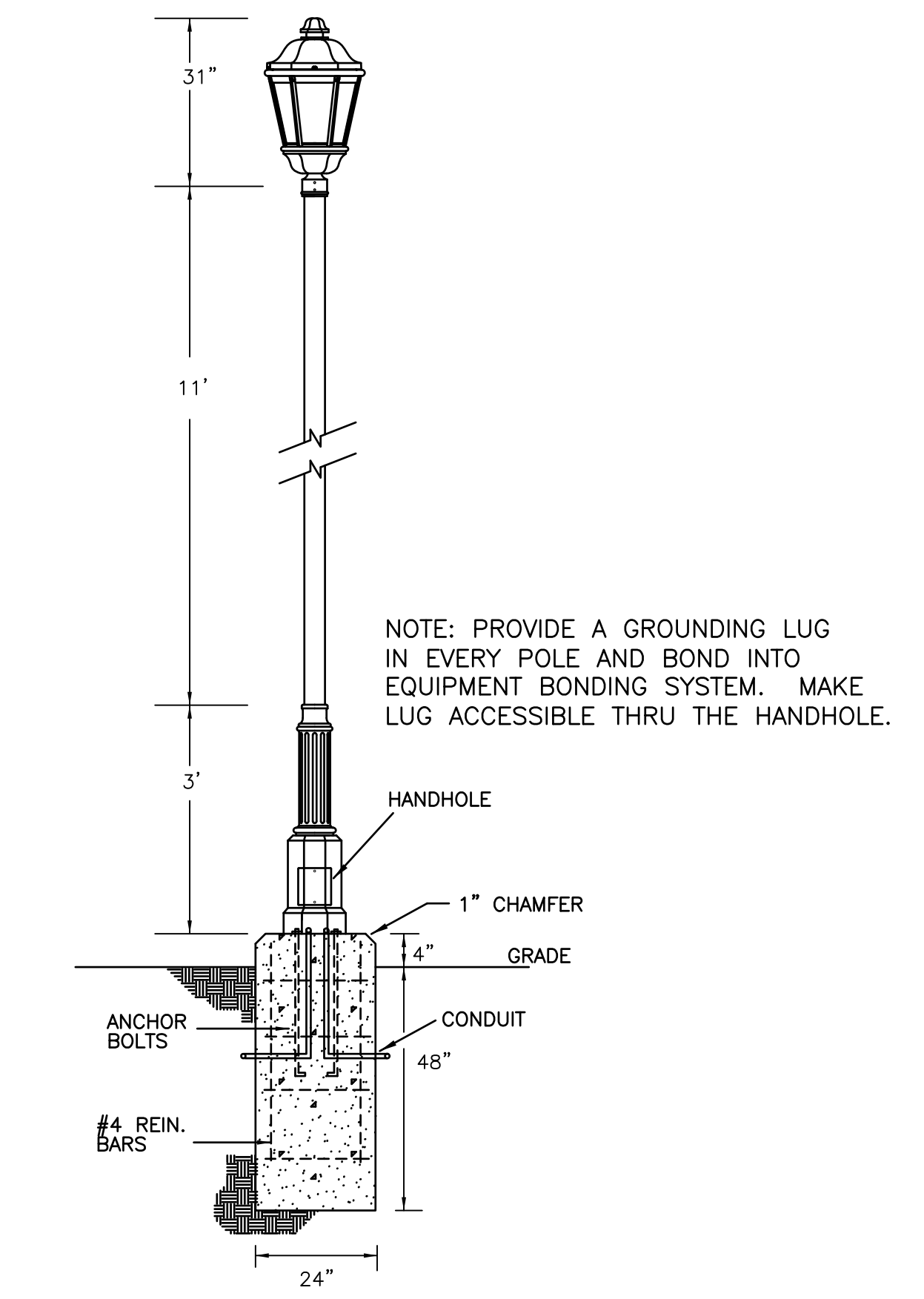
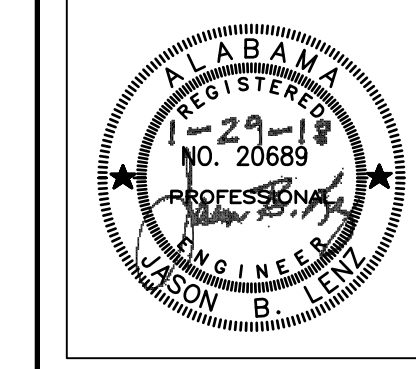
NATIONAL ELECTRICAL CODE 2014 EDITION



- NOTES:**
- GFCI RECEPTACLE IS INTENDED TO BE BELOW THE COOLER AND CONCEALED AS MUCH AS POSSIBLE FROM THE CASUAL OBSERVER. THE GFCI RESET BUTTON SHALL BE ACCESSIBLE WITHOUT REMOVING THE WATER COOLER HOUSING.
 - FIELD VERIFY DIMENSIONS WITH ACTUAL WATER COOLER BEING PROVIDED.

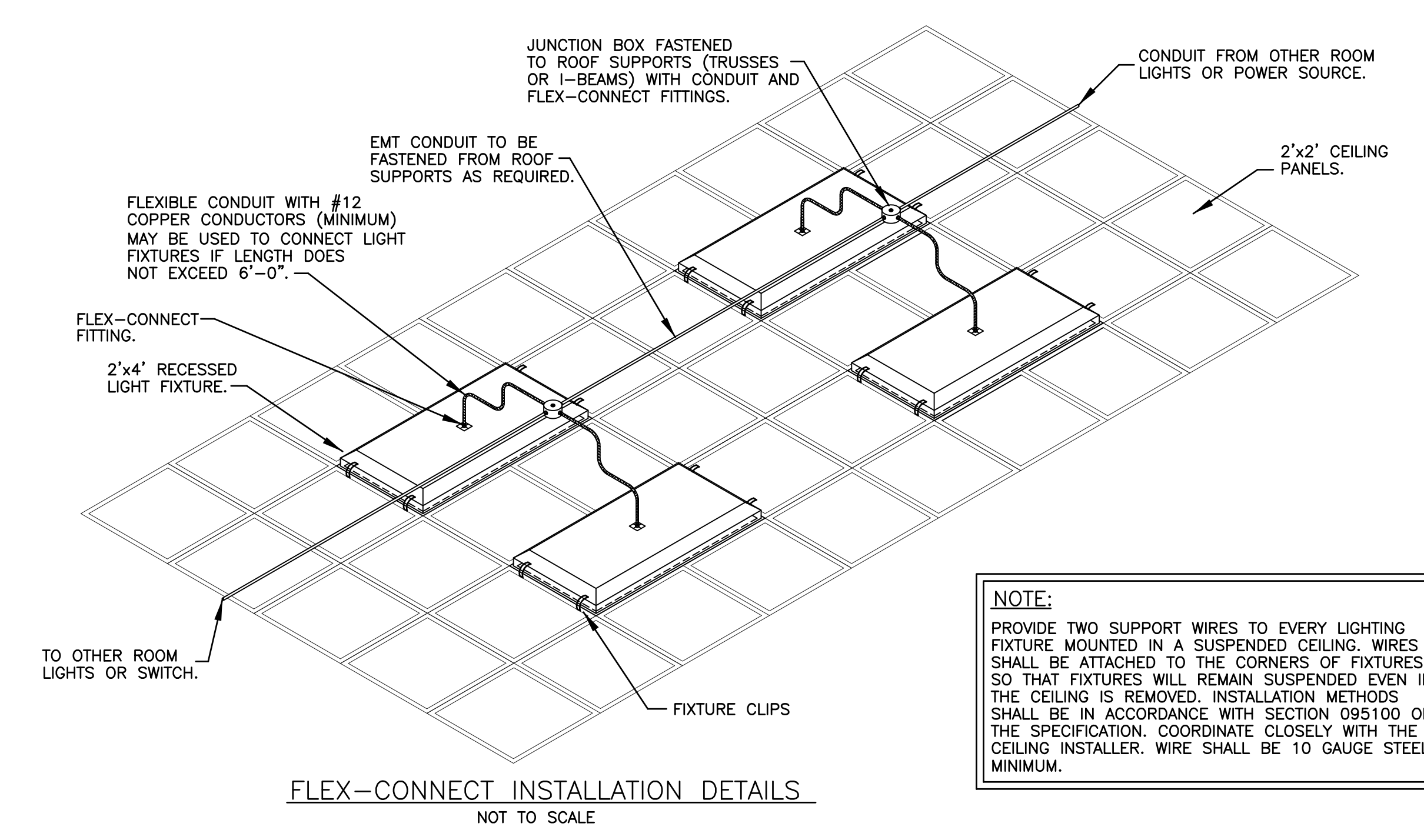
WATER COOLER & GFCI RECEPTACLE DETAIL
NOT TO SCALE

SHOALS ENGINEERING, PC
1138 N. WOOD AVE.
FLORENCE, ALABAMA, 35630
TEL: (256) 764-0817
FAX: (256) 764-0838
PROJECT NO.: 17-1718



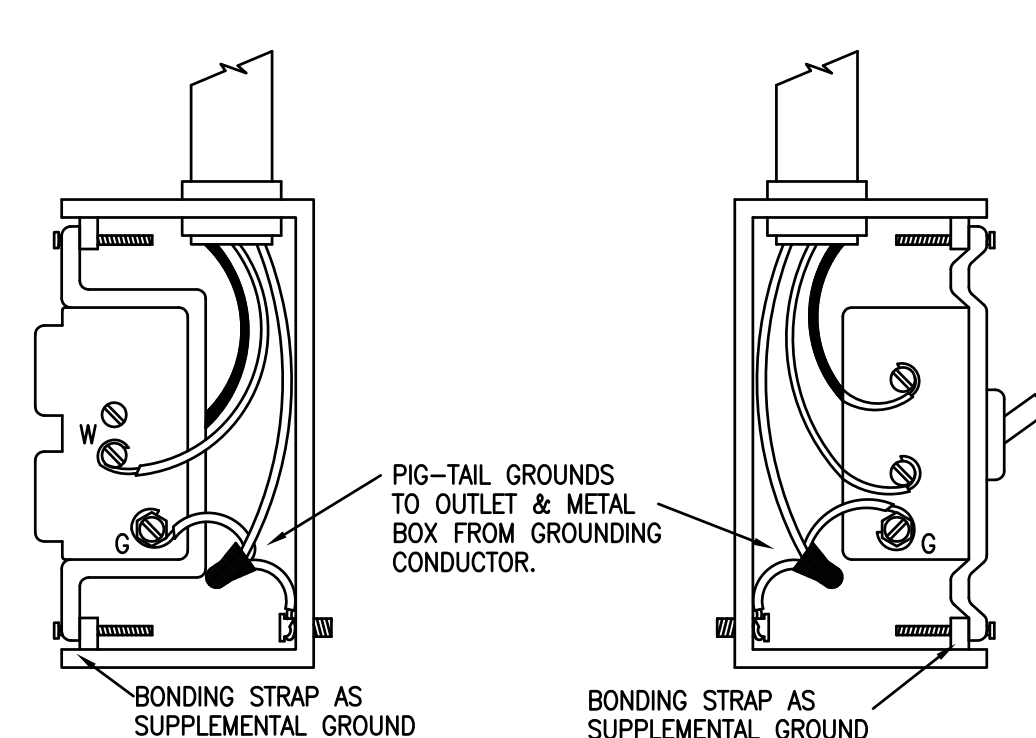
NOTE: PROVIDE A GROUNDING LUG IN EVERY POLE AND BOND INTO EQUIPMENT BONDING SYSTEM. MAKE LUG ACCESSIBLE THRU THE HANDHOLE.

FIXTURE "LP" POLE DETAIL
NOT TO SCALE



FLEX-CONNECT INSTALLATION DETAILS
NOT TO SCALE

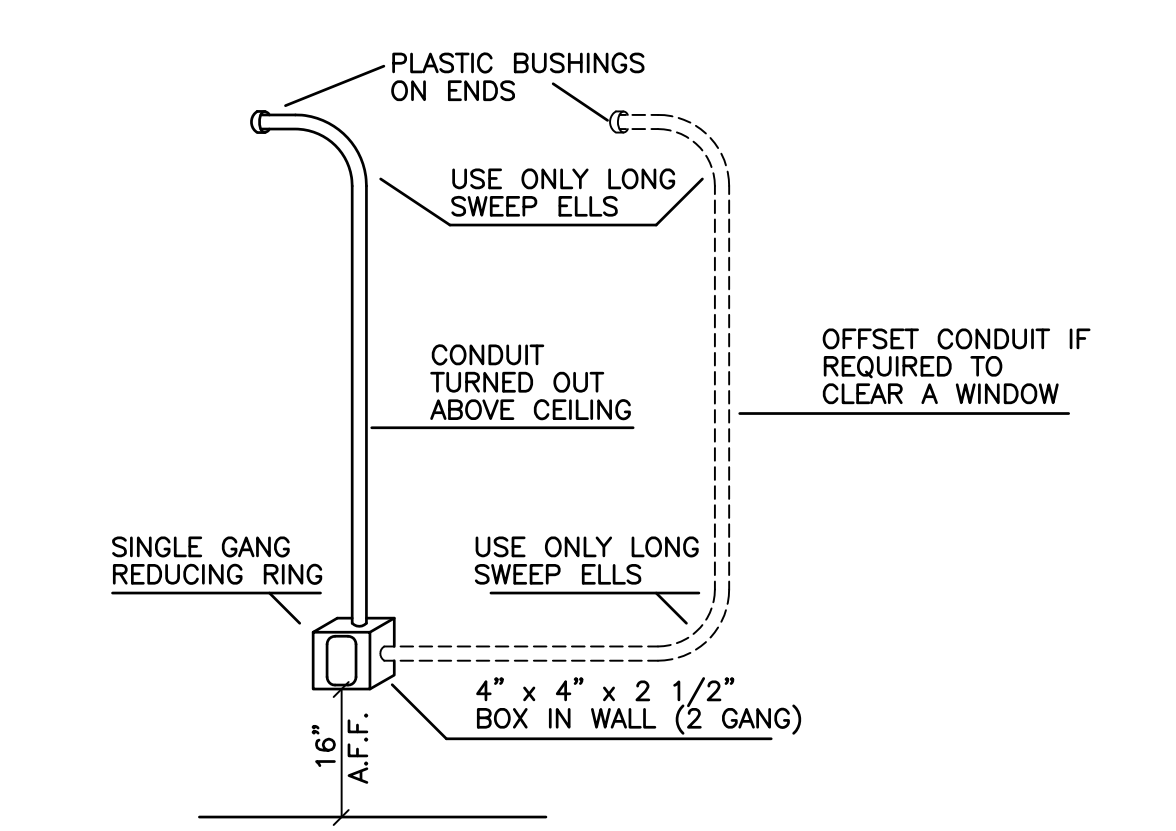
NOTE:
ORIENT GROUND PRONG PER LOCAL JURISDICTION REQUIREMENTS.



RECEPTACLE & SWITCH WIRING DETAIL
SCALE: NOT TO SCALE

CONDUIT STUB-OUT CHART

CABLE QTY.	CONDUIT SIZE
1 TO 2	3/4"
3 TO 4	1"
5 TO 6	1 1/4" OR 2@3/4"



TELEPHONE, DATA, AND TELEVISION DETAIL OF OUTLET BOX
NOT TO SCALE

LAMBERT • EZELL • DURHAM
ARCHITECTURE, LLC
FLORENCE, ALABAMA 35631
P.O. Box 934 401 East College St.
Telephone (256) 767-7100
WWW.LEDARCHITECTURE.COM

BRANCH BANK FOR TRADERS AND FARMERS BANK
DOUBLE SPRINGS, ALABAMA

Job No. 1612
Date 11/30/17
Drawn RAR/ABL
Checked JBL
Revised
Revised

Drawing Title
DETAILS + NOTES
Drawing Number
E-8
Of 8