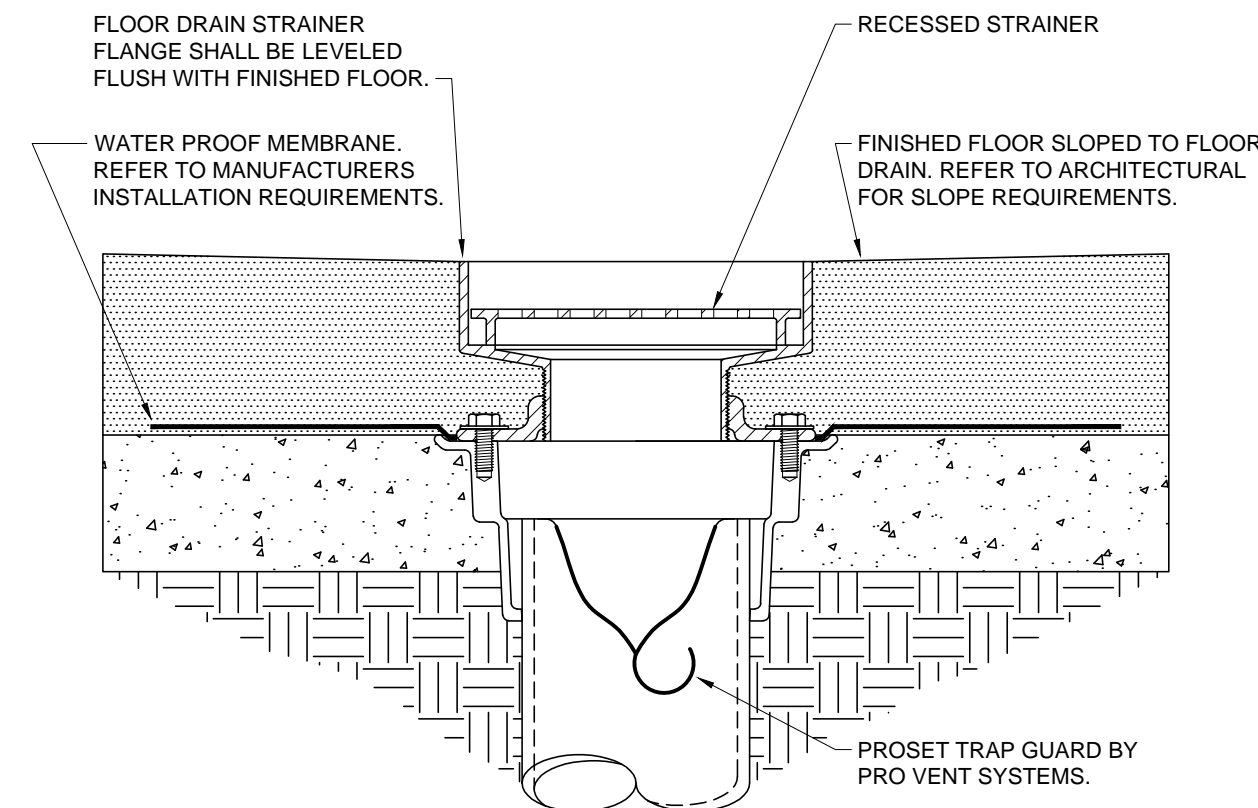
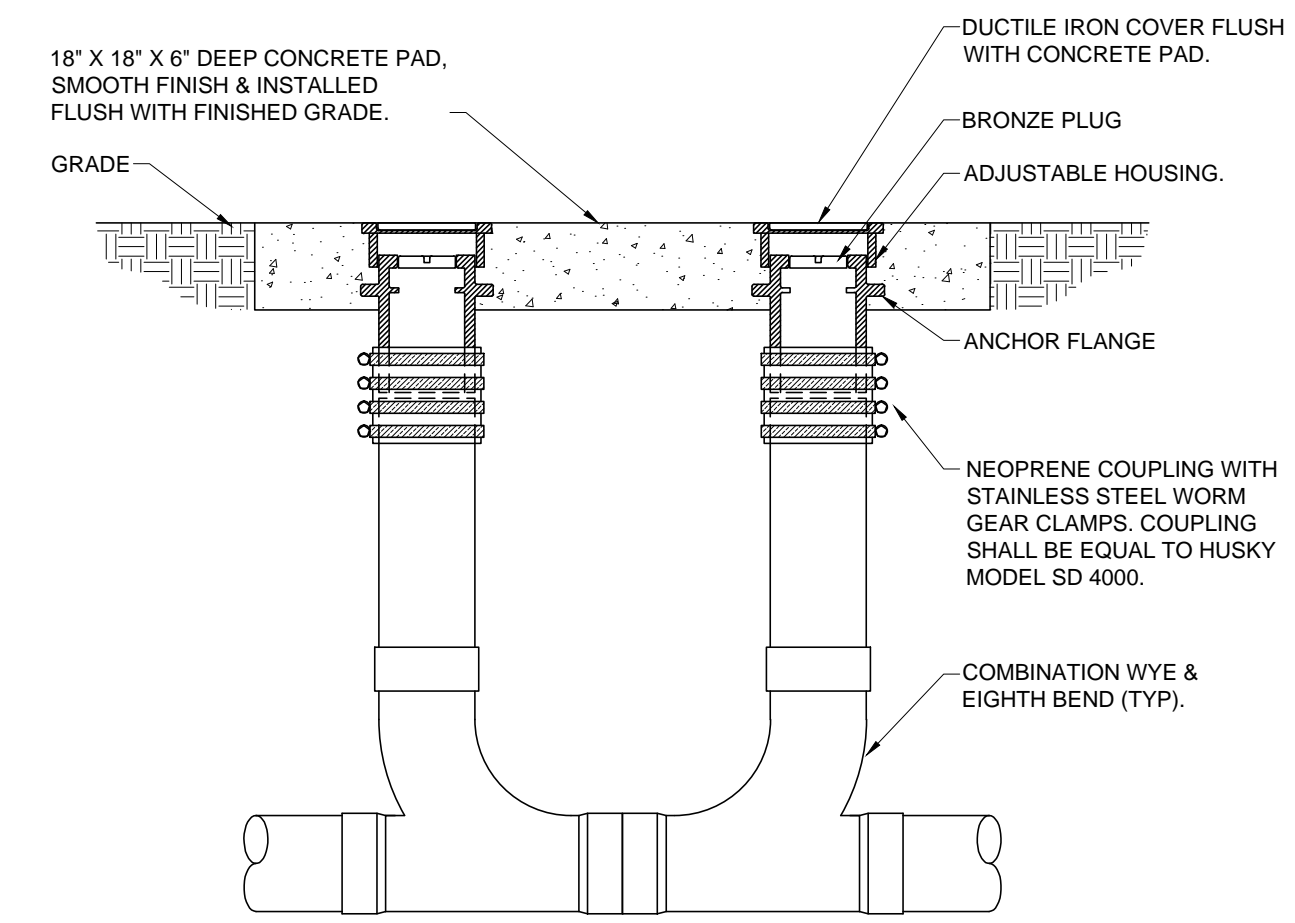


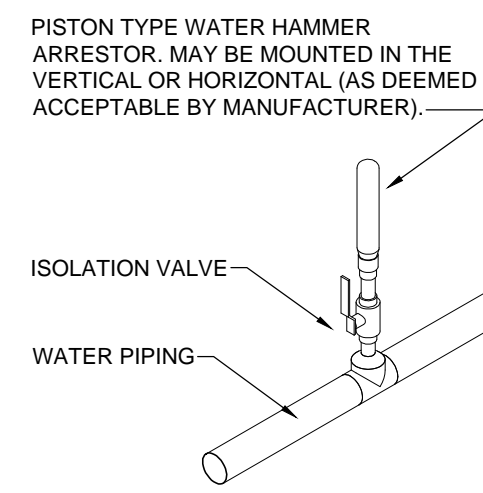
**MOP SINK INSTALLATION DETAIL**  
NOT TO SCALE



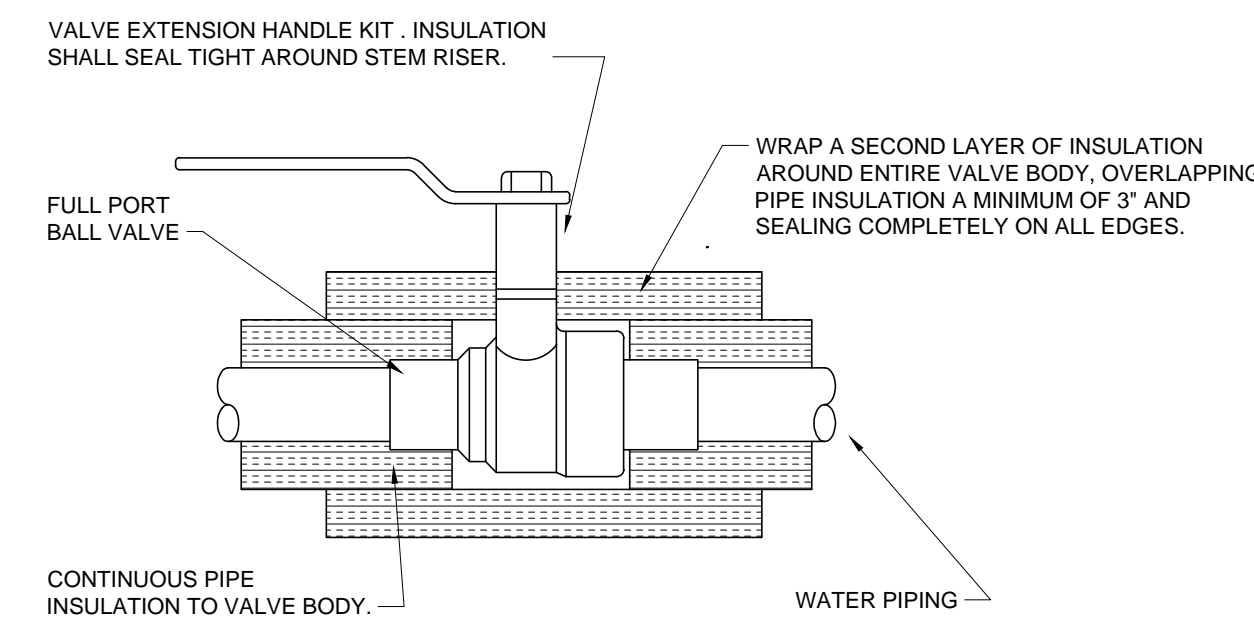
**FLOOR ON GRADE - RECESSED STRAINER**  
**FLOOR DRAIN DETAIL**  
NOT TO SCALE



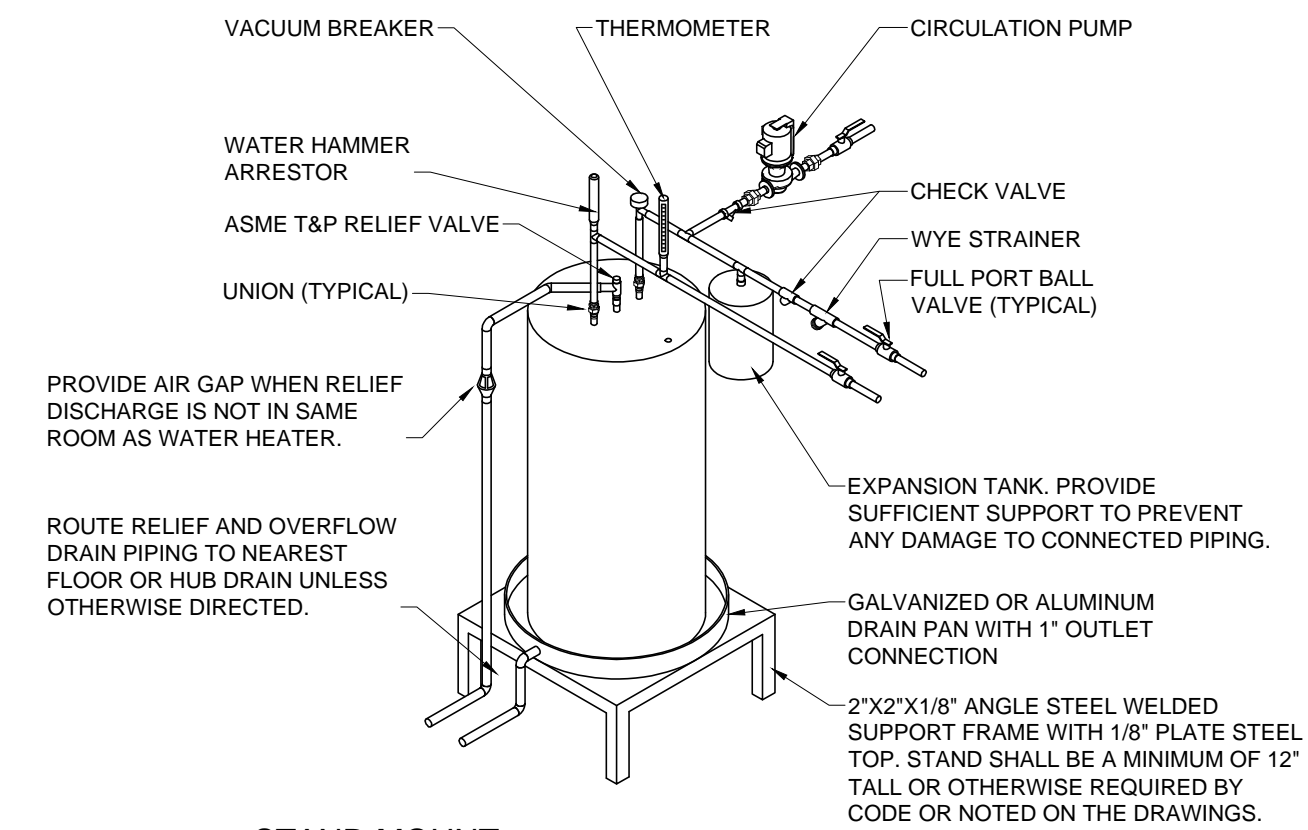
**TWO WAY**  
**EXTERIOR CLEANOUT DETAIL**  
NOT TO SCALE



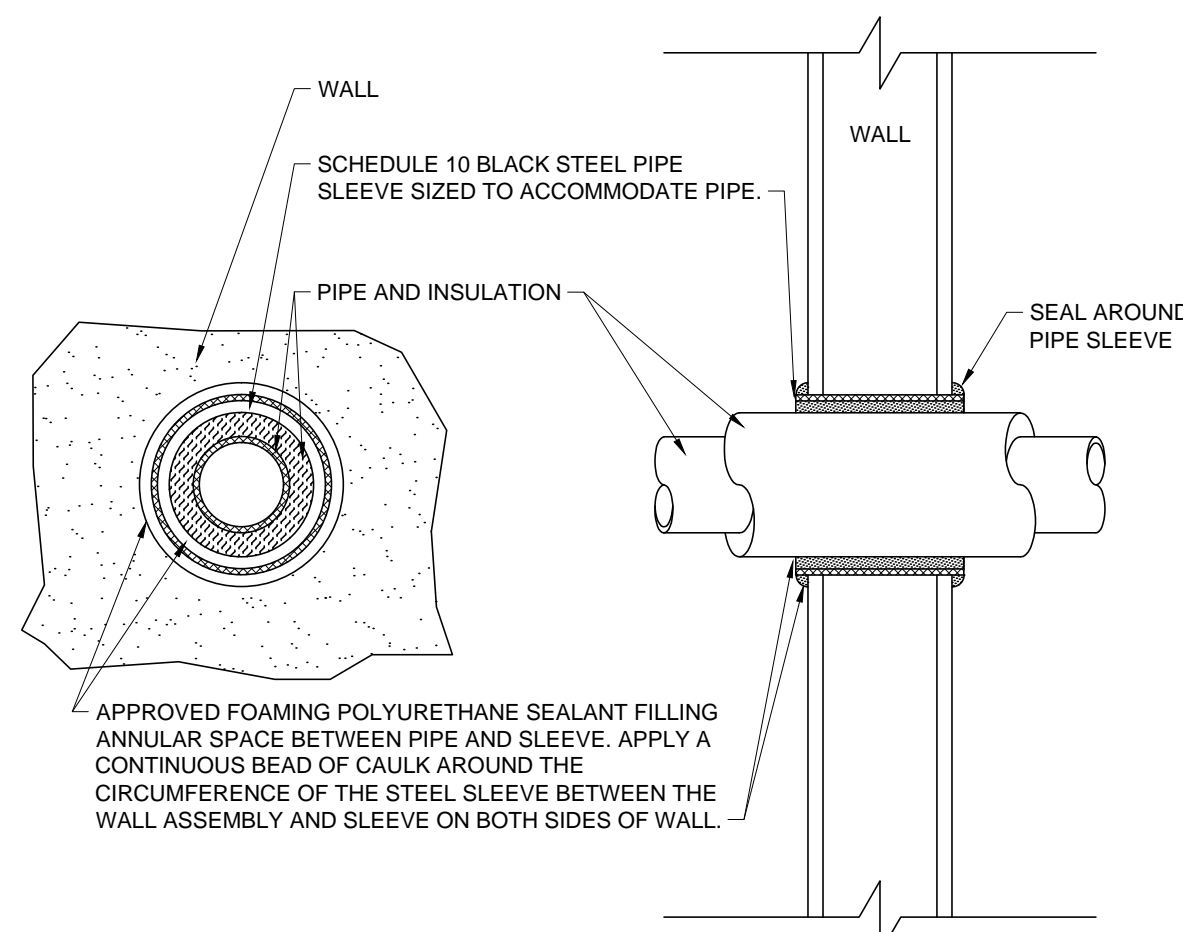
**DOMESTIC WATER**  
**WATER HAMMER**  
**ARRESTOR DETAIL**  
NOT TO SCALE



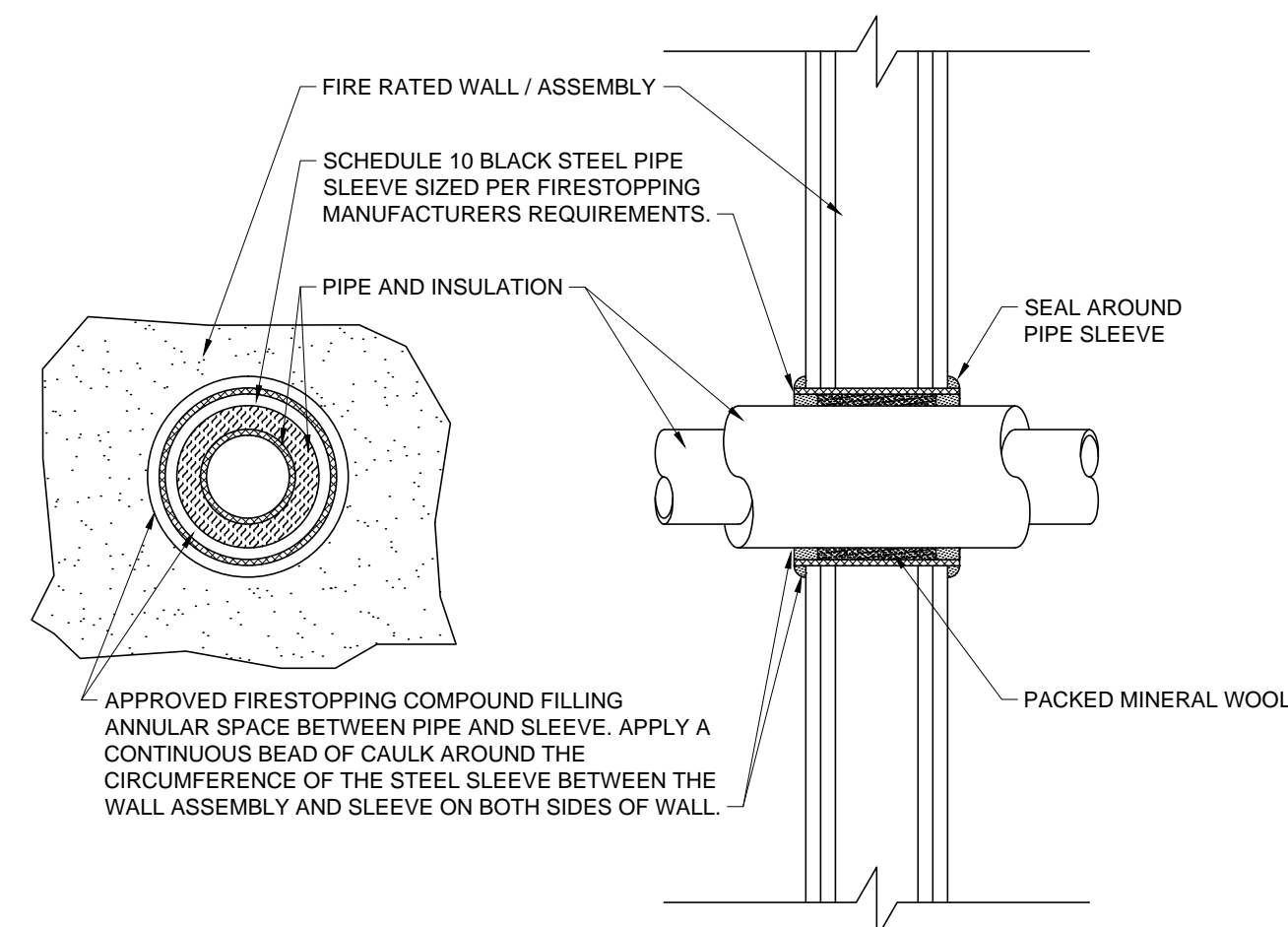
**SERVICE VALVE DETAIL**  
NOT TO SCALE



**STAND MOUNT**  
**WATER HEATER DETAIL**  
NOT TO SCALE



**NON RATED WALL / ASSEMBLY**  
**PIPE SLEEVE DETAIL**  
NOT TO SCALE



**RATED U.L. LISTED WALL / ASSEMBLY**  
**PIPE SLEEVE DETAIL**  
NOT TO SCALE

**LAMBERT • EZELL • DURHAM**  
ARCHITECTURE, LLC  
P.O. BOX 334 401 EAST COLLEGE ST. FLORENCE, ALABAMA 36631  
TELEPHONE (256) 761-1100 WWW.ARCHITECTURE.COM

BRANCH BANK FOR  
**TRADERS AND FARMERS BANK**  
DOUBLE STRINGS, ALABAMA

|         |      |         |          |
|---------|------|---------|----------|
| JOB NO. | 1612 | DATE    | 11/30/17 |
| DRAWN   | IJB  | REVISED |          |
| CHECKED | JNE  | REVISED |          |

DRAWING TITLE  
**PLUMBING**  
DETAILS

DRAWING NUMBER  
**P-4.0**

OF 4

